



INSTALLATION GUIDE

Masterpiece LCR DualMono[®] MK 2

Portrait LCR DualMono[®] MK 2

Sketch LCR DualMono[®] MK 2

M-LCRDM-MK2

P-LCRDM-MK2

S-LCRDM-MK2

CARTON CONTENTS:

- 2. LCRDM MK2 Speakers
- 2. LCRDM MK2 Brackets
- 4. Thumbscrews
- 2. White Gloves
- 1. Installation Guide

If you are missing any of these parts or if you need assistance during the installation of your Artison LCRDM MK2, please contact Artison's Customer Service Department during normal business hours, Pacific Time at (775) 783-4770.

Thank you for choosing the Artison LCR DualMono® Mark 2 Speakers. We are pleased that you have selected our high-performance audio product. The following information will guide you through the installation.

INTRODUCTION

Artison LCR DualMono Mark 2 (LCRDM MK2) speakers are designed be used with any video display and provide a high performance home theater Front Channel LCR solution. Artison's patented DualMono Center Channel design uses an array of two Center Channels, one Left Channel, and one Right Channel; all housed in two aluminum enclosures. All 4 speakers have independent air chambers and crossovers. The LCRDM MK2 speaker blends high performance audio and aesthetic design to create one **Total Involvement Experience®**.

The LCRDM MK2 speakers can be installed in multiple home theater applications. Using the included accessories, the speakers can be surface mounted. The optional Universal Mounting Brackets: UMB-46/60, UMB-55/80 or UMB-75/100, will directly mount the speakers to any Flat Panel TV (FPTV). The UMB attaches to any FPTV using the VESA mounting points on the FPTV. Compatible with a table top or wall-mounted application in conjunction with a FPTV wall-mount bracket. All LCRDM MK2 models are compatible with displays that are 7 mm – 111 mm, (0.28" – 4.4") in depth.

GLCRDM2 Grilles are available to be customized to match any FPTV. Artison maintains a database of FPTV's and can match the exact height. G LCRDM2 Grilles used with Portrait LCRDM MK2 or Sketch LCRDM MK2 speakers are compatible with any FPTV that is 25.7" inches tall or larger. G LCRDM2 Grilles used with Masterpiece LCRDM MK2 speakers are compatible with any FPTV that is 30.0" inches tall or larger.

The LCRDM MK2 speakers can also be installed In Wall with the LCRDM IW Kit. The LCRDM IW Kit incorporates the A.I.R. (Architectural Integration Reference) micro-perforated grilles and bezel design for a seamless aesthetic. The A.I.R. features magnetic grille attachment, micro-perforated grilles and a micro bezel.

INSTALLATION OPTIONS

The Artison LCRDM MK2 Speakers were designed to have multiple installation options using the included and accessory components.

- On-Wall
- Attached to FDTV on a Table Stand or Wall Mount [**Additional accessories required: UMB & GLCRDM2 Grilles**]
- In-Wall [**Additional accessory required: LCR DM IW KIT**]

ON-WALL INSTALLATION OF THE LCR DM MK2

1. Remove the LCR DM Bracket from the speakers by loosening the 2 thumbscrews in a counter-clockwise direction.
2. Carefully slip off the bracket. **NOTE: DO NOT place the speaker face down as this may permanently damage the drivers.**
3. The LCR DM Brackets have two slots cut through the rear of the part which will function as a surface mount bracket. Refer to **FIGURE 1.**
4. Make a hole directly behind the terminal posts in the center of the speaker bracket for the speaker wire.
5. Place each LCR DM MK2 on their corresponding sides of the television. The DualMono Center Channels should be located on the top half of the display. **Refer to FIGURE 2.**

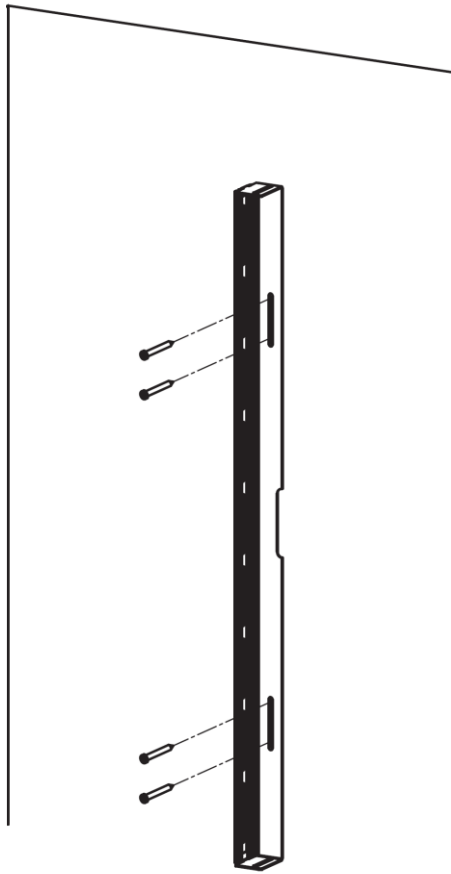


FIGURE 1

WIRING THE LCRS

3 CHANNEL METHOD (Left, DualMono Center and Right)

1. Operate the terminals by firmly pressing on them. An opening will be exposed in the side of the terminal. Slip about 9 mm (3/8") of bare speaker wire into this opening hole and release the terminal. The spring loaded terminal will now securely hold the wire in place. 16 gauge is the minimum requirement. Depending upon total wire length a larger gauge may be used. 12 gauge is the maximum that will fit into the gold push terminals.
2. **Left and Right Channels**
 - 2.1. Connect two conductor speaker wire between each channel and the receiver or amplifier. Mind the polarity of the wiring is consistent. (+ to +, - to -)
3. **DualMono Center Channels**
 - 3.1. Using the supplied 2 meter speaker wire, connect both center channels together in parallel. This is done by connecting Red to Red and Black to Black, (+ to +, - to -).
 - 3.2. Connect two conductor speaker wire between one of the DualMono Center Channels and the receiver or amplifier. The wire from the amplifier and the wire from the opposite center channel should be twisted together and placed in the terminals. Mind the polarity of the wiring is consistent. (+ to +, - to -)
4. Refer to **FIGURE 3**.
5. **NOTE: This can be achieved by using 2 runs of 4 conductor speaker wire. One run per side of the FPTV. Separate the 4 conductors into 2 pairs. Connect one pair to each channel. The parallel connection of the DualMono Center Channels can be made at the amplifier.**

2 CHANNEL METHOD (Left/Right Stereo)

1. Using a single conductor of speaker wire, connect the negative terminal of the Left Channel to the positive terminal of the DualMono Center Channel in the same cabinet. This puts the two channels in series.
2. Similarly, connect a single conductor from the negative terminal of the Right Channel to the positive terminal of the DualMono Center Channel in the same cabinet.
3. Using two conductor speaker wire, connect the Left and Right channel outputs of the receiver or amplifier to the pair of unused + and - terminals on each corresponding side.
4. Refer to **FIGURE 4**.

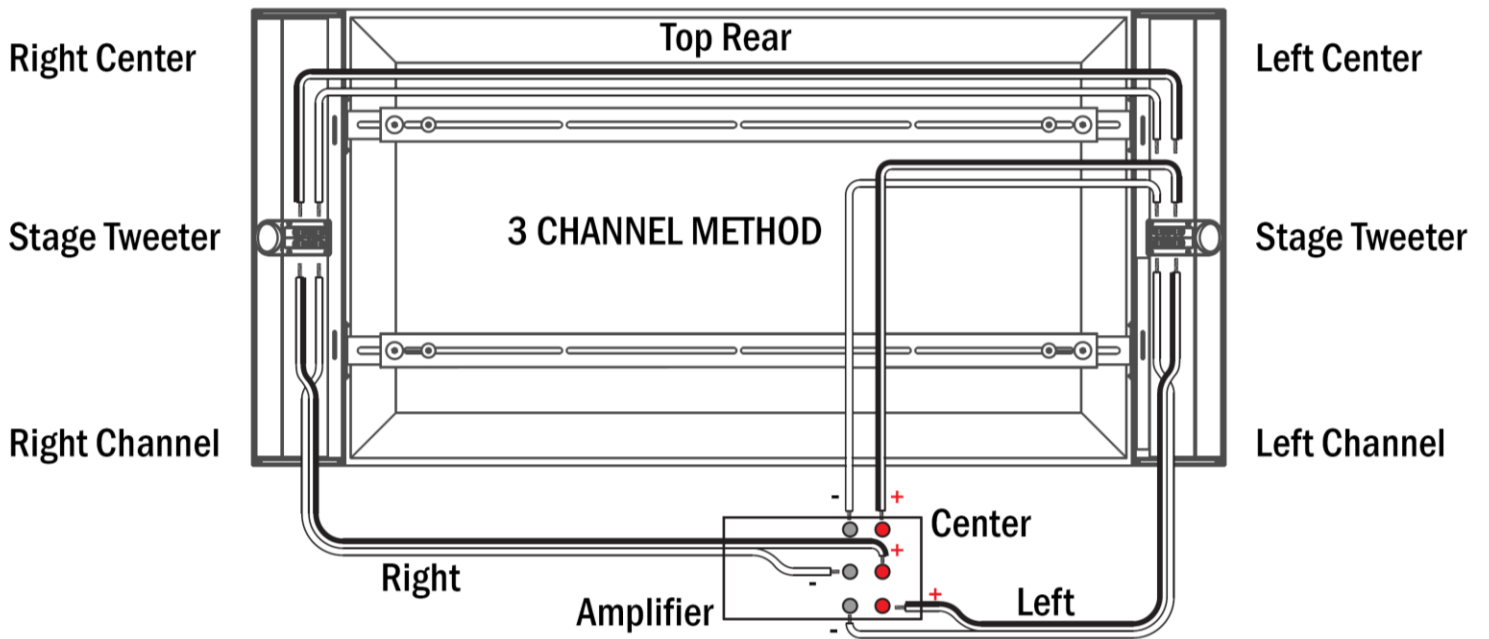


FIGURE 3

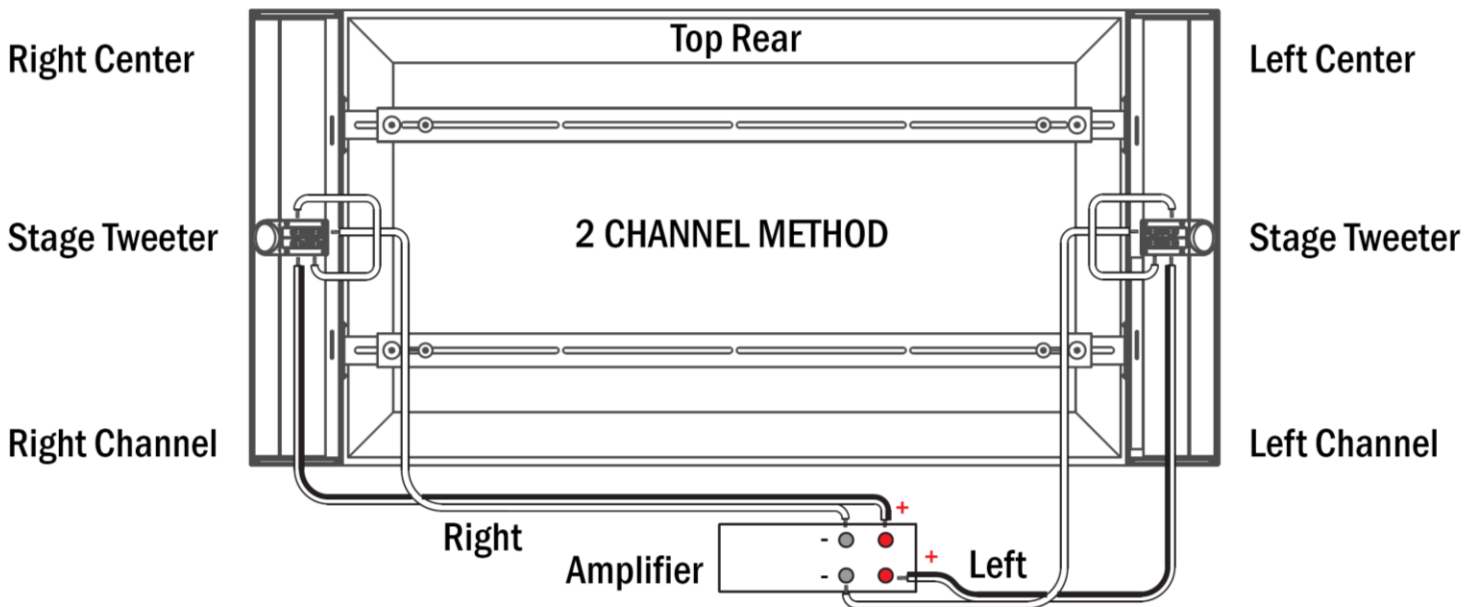


FIGURE 4

FINE TUNING YOUR LCR-DM SPEAKERS

Satellite / Subwoofer Crossover Frequencies:

S-LCRDM-MK2:

- 'SMALL' Speaker on A/V Receiver / Processor
- Crossover Frequency:
 - DualMono Center, 80 Hz
 - Left & Right : 100 Hz
- Crossover Slope: 18 dB/octave

P-LCRDM-MK2:

- 'SMALL' Speaker on A/V Receiver / Processor
- Crossover Frequency: 80 Hz
- Crossover Slope: 18 dB/octave

M-LCRDM-MK2:

- 'SMALL' Speaker on A/V Receiver / Processor
- Crossover Frequency: 80 Hz
- Crossover Slope: 18 dB/Octave

Stage Tweeter ON / OFF Switch:

- This located on the rear of each speaker below the terminal cup. The switch position is as below: Up is ON and Down is OFF.
- In most applications, the Stage Tweeter should be ON. The Stage Tweeter widens the Left & Right Channel separation by directing out of phase high frequencies, 6 kHz and up, against the adjacent rear wall.
- Turn the Stage Tweeter OFF: Installations where the speakers and FPTV are flush mounted into recessed cabinetry or mounted in wall using the LCR DM IW KIT.

Adjustable Tweeters:

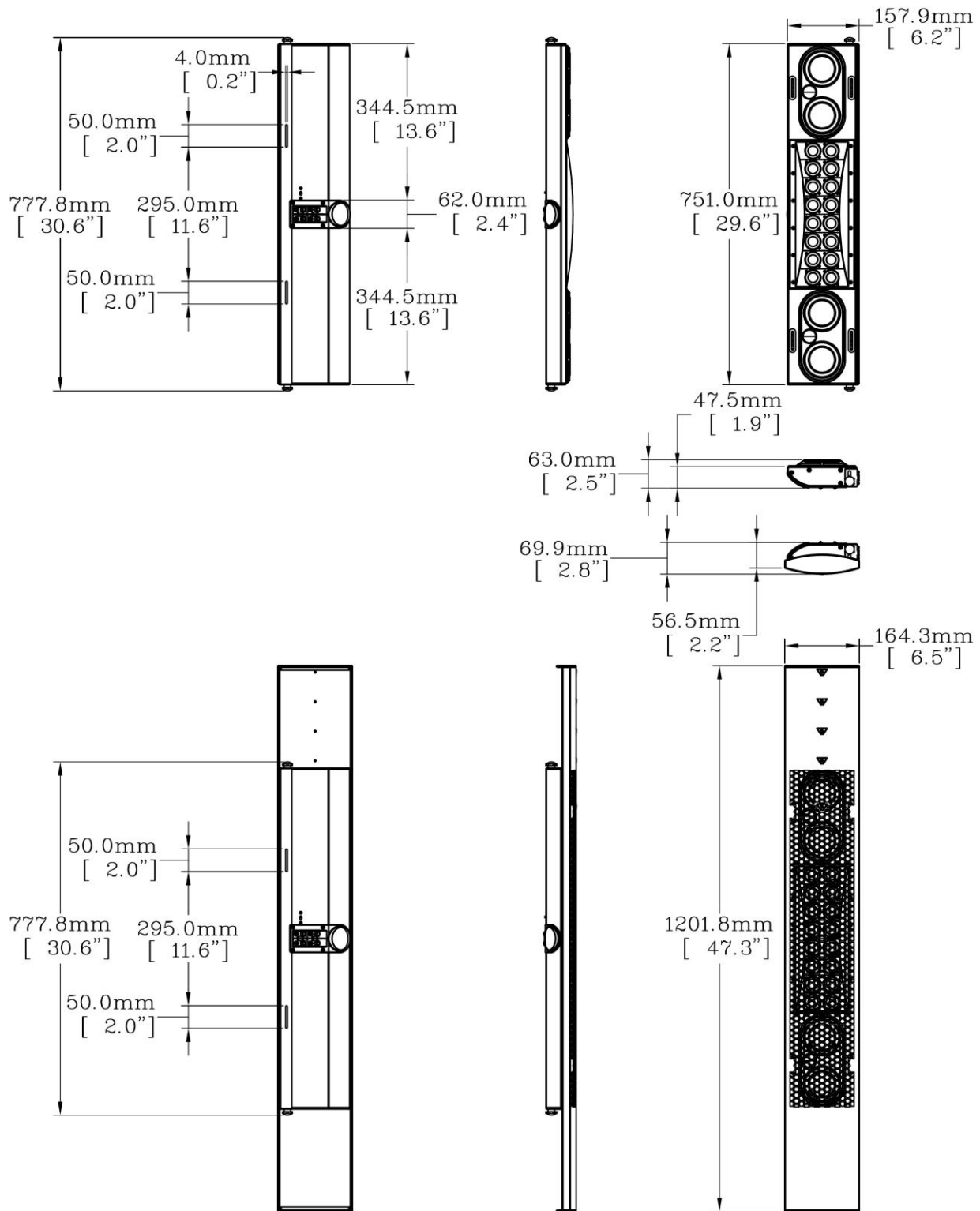
- The P-LCRDM-MK2 is equipped with adjustable front firing Vifa XT25 Tweeters.
- DualMono Center Channel Tweeters should both be aimed towards the center of your primary listening area.
- Left and Right Channel Tweeters should be aimed to the respective Left and Right sides of your primary listening area.

SPECIFICATIONS & DIMENSIONS:

Masterpiece LCR DualMono

M-LCRDM-MK2

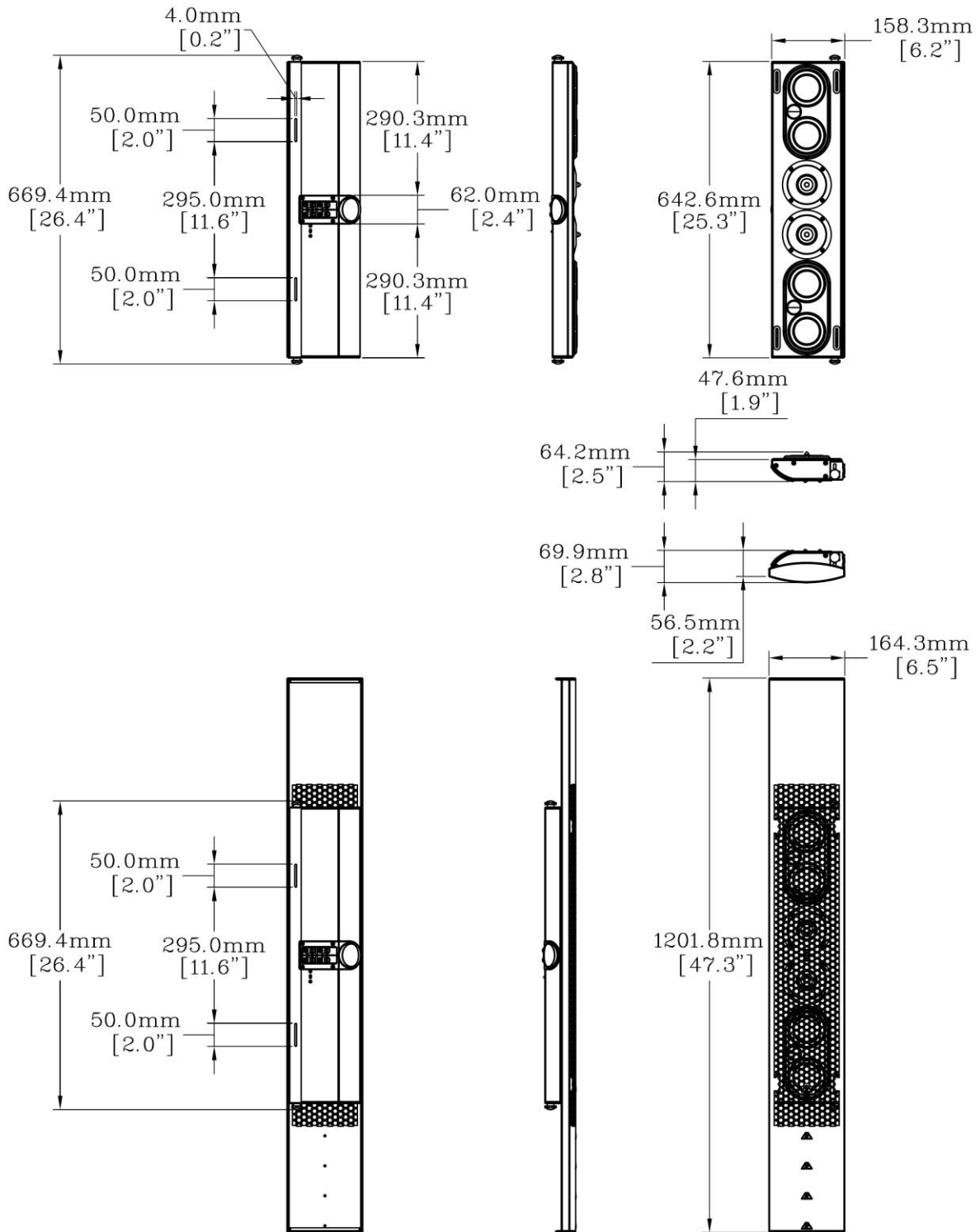
Dimensions:	29.6" x 6.3" x 2.4", HWD Overall 30.0" x 6.5" x 2.6", HWD w/ Minimum Grille Mounting Depth 2.1" ≤ (TV + UMB + Wall Mount) For use with FPTV's ~55" or larger: H ≥ 30.0", D 0.28" - 4.4"
Driver Complement:	4. 3.5" Carbon Fiber Long Throw Midrange/Woofers 2. 8 x 1" ART Drivers in Curved Line Array 1. 1" Stage Tweeter
Cabinet / Finish:	Extruded Aluminum / Satin Black; Grille Cloth available in Black or Light Grey
Frequency Response:	80 Hz – 30 kHz ± 3 dB
Recommended Power:	100 - 250 Watts
Nominal Impedance:	6 Ω
Sensitivity:	89 dB @ 2.83 Volts, 1 Meter
Enclosure Type:	Bass Reflex
System Weight:	28 lbs. (13 kg.)



Portrait LCR DualMono

P-LCRDM-MK2

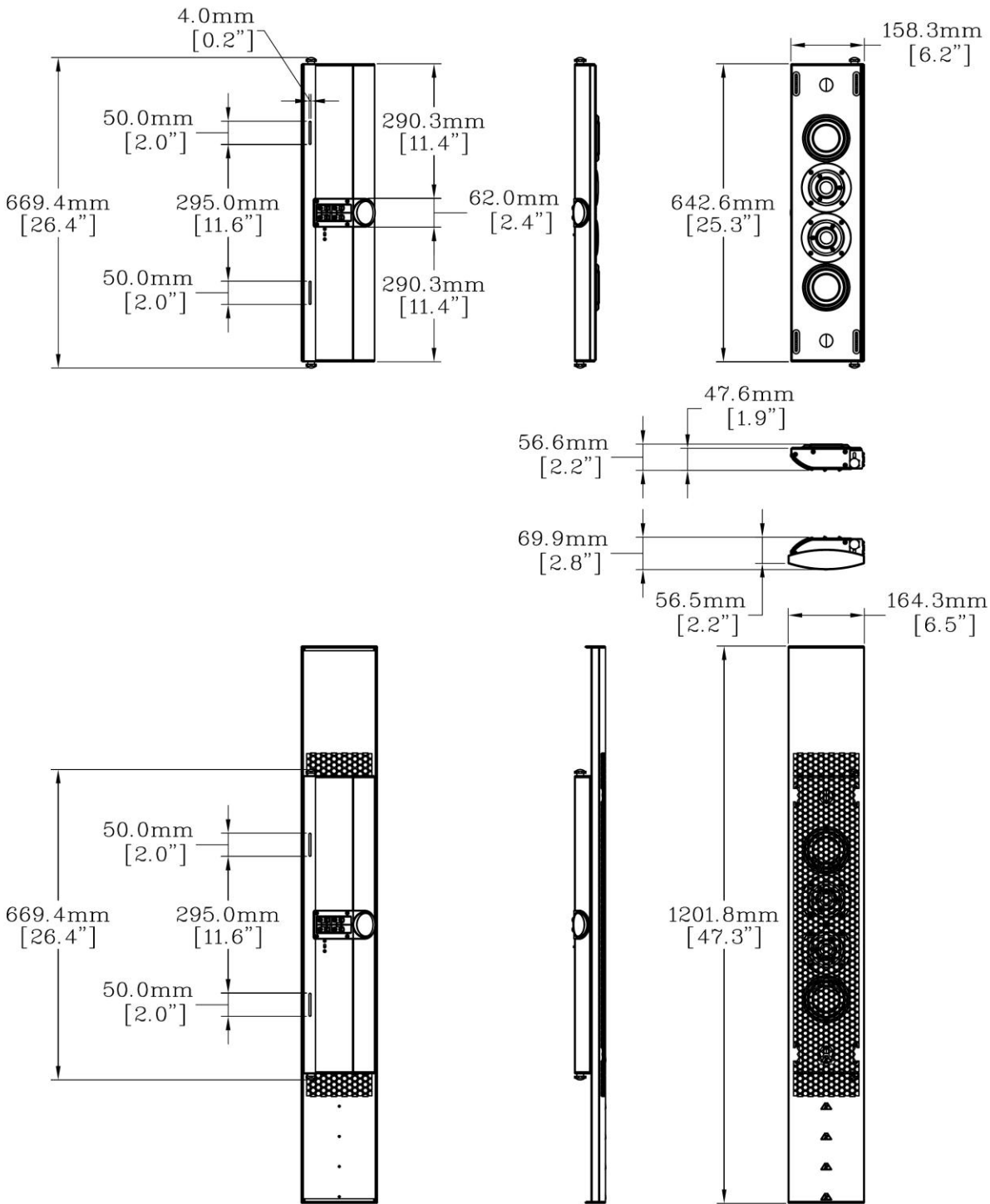
Dimensions:	25.3" x 6.3" x 2.4", HWD Overall 25.7" x 6.5" x 2.6", HWD w/ Minimum Grille Mounting Depth 2.1" ≤ (TV + UMB + Wall Mount) For use with FPTV's ~46" or larger: H ≥ 25.7", D 0.28" - 4.4"
Driver Complement:	4. 3.5" Carbon Fiber, Long Throw Midrange/Woofers 2. XT25 Super Audio Tweeters, 15° Swivel Mount 1. 1" Stage Tweeter
Cabinet / Finish:	Extruded Aluminum / Satin Black; (Grille Cloth available in Black or Light Grey)
Frequency Response:	80 Hz – 50 kHz ± 3 dB
Recommended Power:	100 - 200 Watts
Nominal Impedance:	6 Ω
Sensitivity:	89 dB @ 2.83 Volts, 1 Meter
Enclosure Type:	Bass Reflex
System Weight:	25 lbs. (11 kg.) incl. Speakers, Mounting Hardware & Grilles



Sketch LCR DualMono

S-LCRDM-MK2

Dimensions:	25.3" x 6.3" x 2.4", HWD Overall 25.7" x 6.5" x 2.6", HWD w/ Minimum Grille Mounting Depth 2.1" ≤ (TV + UMB + Wall Mount) For use with FPTV's ~46" or larger: H ≥ 25.7", D 0.28" - 4.4"
Driver Complement:	2. 3.5" Carbon Fiber, Long Throw Midrange/Woofers 2. 1" DX25 Super Audio Tweeters 1. 1" Stage Tweeter
Cabinet / Finish:	Extruded Aluminum / Satin Black; (Grille Cloth available in Black or Light Grey)
Frequency Response:	80 Hz – 40 KHz ± 3 dB DualMono Center Channel 100 Hz – 40 KHz ± 3 dB Left/Right Channels
Recommended Power:	75 - 150 Watts
Nominal Impedance:	6 Ω
Sensitivity:	87dB @ 2.83 Volts, 1 Meter
Enclosure Type:	Bass Reflex
System Weight:	22 lbs. (10 kg.) incl. Speakers, Mounting Hardware & Grilles



LIMITED WARRANTY

This warranty remains in effect for five years from the date of purchase for speaker products and one year for electronic products.

THIS WARRANTY PROTECTS THE ORIGINAL OWNER PROVIDING THAT THE PRODUCT HAS BEEN PURCHASED FROM AN AUTHORIZED ARTISON DEALER IN THE UNITED STATES. THE ORIGINAL BILL OF SALE MUST BE PRESENTED WHENEVER WARRANTY SERVICE IS REQUIRED. FOR WARRANTY SERVICE OUTSIDE THE UNITED STATES, CONTACT THE AUTHORIZED ARTISON DISTRIBUTOR IN THE COUNTRY WHERE THE PRODUCT WAS PURCHASED.

Except as specified below, this warranty covers all defects in material and workmanship. The following are not covered: Damage caused by accident, misuse, abuse, product modification or neglect, damage occurring during shipment, damage from failure to follow instructions contained in the Owners Manual, damage resulting from the performance of repairs by someone not authorized by Artison, or any claims based on misrepresentations by the seller. This warranty does not cover incidental or consequential damages. It does not cover the cost of removing or reinstalling the unit. **THIS WARRANTY IS VOID IF THE SERIAL NUMBER HAS BEEN REMOVED OR DEFACED, OR IS PURCHASED FROM AN UNAUTHORIZED DEALER ON THE INTERNET (WORLD WIDE WEB), MAIL ORDER, 800, 888, 877 TELEPHONE NUMBERS OR THROUGH A CATALOG.**

This warranty gives you specific legal rights. You may also have other rights, which vary from state to state. Some states do not allow the exclusion or limitation of incidental or consequential damages or limitations on how long an implied warranty lasts, so the above may not apply to you.

Please make note of the following information and retain for your record.

Product Name_____ Model Number_____

Store Name_____ Purchase Price_____

HOW TO OBTAIN SERVICE

Please call us at (775) 783-4770, or write to: ARTISON (Attention: Customer Service Department), 2231 Meridian Blvd., Suite 1, Minden, NV 89423.

We will promptly advise you of what action to take. We may direct you to an authorized Artison Service Center or ask you to send your speaker to the factory for repair. You will need to present the original bill of sale to establish the date of purchase. **PLEASE DO NOT SHIP YOUR ARTISON PRODUCT TO THE FACTORY FOR REPAIR WITHOUT PRIOR AUTHORIZATION. ANY PRODUCT RETURNED WITHOUT AUTHORIZATION WILL BE REFUSED.** You are responsible for transporting your product for repair and for payment of any initial shipping charges. However, we will pay the return shipping charges if the repairs are covered under warranty.