

MOD-FPSKIT100(-B)
MOD-FPSKIT150(-B)



VESA® Pattern
600 x 400mm

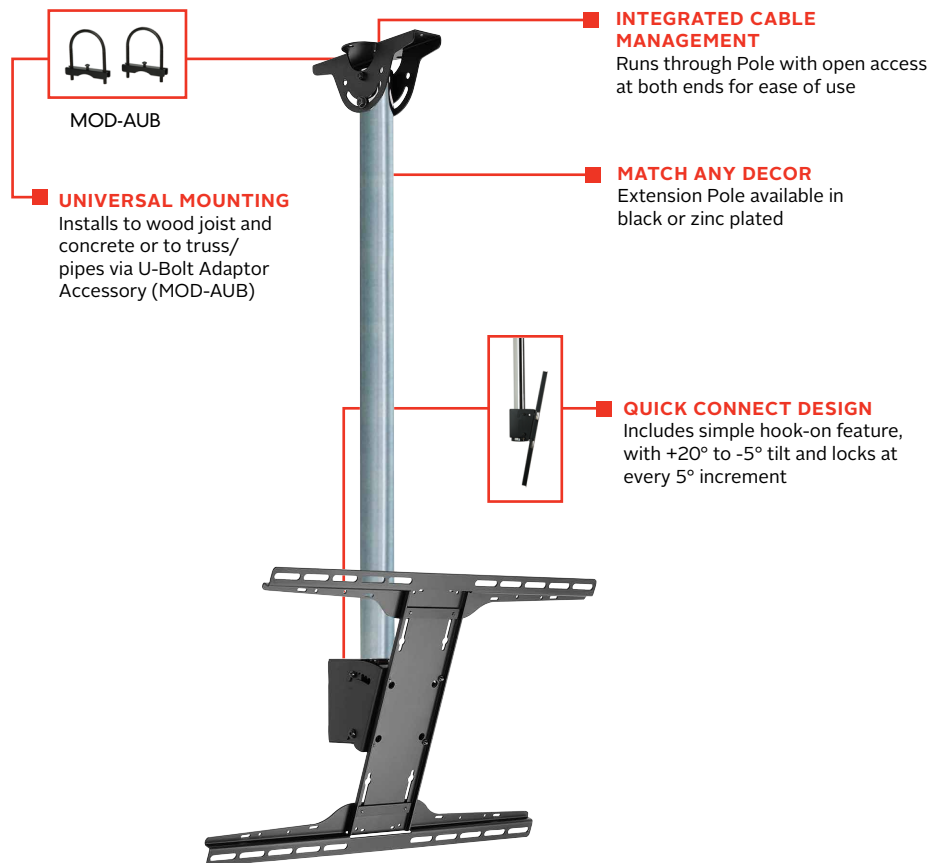


Max load
132lb (60kg)
per display
264lb (120kg)
total

Modular Series Ceiling Kit

FOR UP TO 75" DISPLAYS

The Peerless-AV® Modular Mount Series includes a small and easily manageable number of components to fulfill a vast majority of end-user requirements. Designed around a 2" (50mm) diameter Extension Pole, the line is ideal for new projects as well as for upgrading existing installations. As part of the Peerless-AV Modular Series, the MOD-FPSKIT100/150 includes all components required to ceiling mount your flat panel display. This kit can be expanded with additional Modular accessories to accommodate additional displays or allow you to create alternative configurations to achieve the perfect custom mounting solution.



- Kit includes:
Cathedral Ceiling Plate
39" (1m) or 59" (1.5m) zinc plated or black Extension Pole
Single Display Flat Panel Mount
Large Universal Adaptor
- Cathedral Ceiling Plate can be angled $\pm 60^\circ$ for use with vaulted or sloping ceilings
- Easy, one person display installation with up to a 39" (1m) or 59" (1.5m) drop
- Universal Display Adaptor for up to 75" displays with VESA® mounting patterns up to 600 x 400mm



Tilt Bracket



Ceiling Plate Cathedral Accessory, MOD-CPC



Model Number

WARRANTY: Limited 5-year

MOD-FPSKIT100(-B)	Modular Series Ceiling Kit for up to 75" Displays; 39" (1m) height
MOD-FPSKIT150(-B)	Modular Series Ceiling Kit for up to 75" Displays; 59" (1.5m) height

Product Specifications

	DIMENSIONS (W X H X D)	PRODUCT WEIGHT	LOAD CAPACITY	FINISH	AVAILABLE COLORS
MOD-FPSKIT100(-B)	24.38" x 442.85" x 8.86" (619 x 1088 x 225mm)	13.8lb (6.3kg)	132lb (60kg) per display 264lb (112kg) total	Powder Coat	MOD-FPSKIT100/150: Black/zinc plated
MOD-FPSKIT150(-B)	24.38" x 65.84" x 8.86" (619 x 1672 x 225mm)	16.3lb (7.4kg)			MOD-FPSKIT100-B/150-B: Black

Package Specifications

	PACKAGE SIZE (W X H X D)	PACKAGE SHIP WEIGHT	PACKAGE UPC CODE	PACKAGE CONTENTS	UNITS IN PACKAGE
MOD-FPSKIT100(-B)	41.13" x 11.50" x 4.44" (1045 x 292 x 112mm)	17lb (7.7kg)	MOD-FPSKIT100: 735029282433 MOD-FPSKIT100-B: 735029290124	- MOD-CPC Cathedral Ceiling Plate - MOD-P100 3' (1.0m) Extension Pole or MOD-P150 5' (1.5m) Extension Pole	1
MOD-FPSKIT150(-B)	62.50" x 12.00" x 5.00" (1588 x 305 x 127mm)	19.5lb (8.8kg)	MOD-FPSKIT150: 735029269816 MOD-FPSKIT150-B: 735029290131	- MOD-FPMS Single Screen Mount - MOD-UNL Large Universal Adaptor	

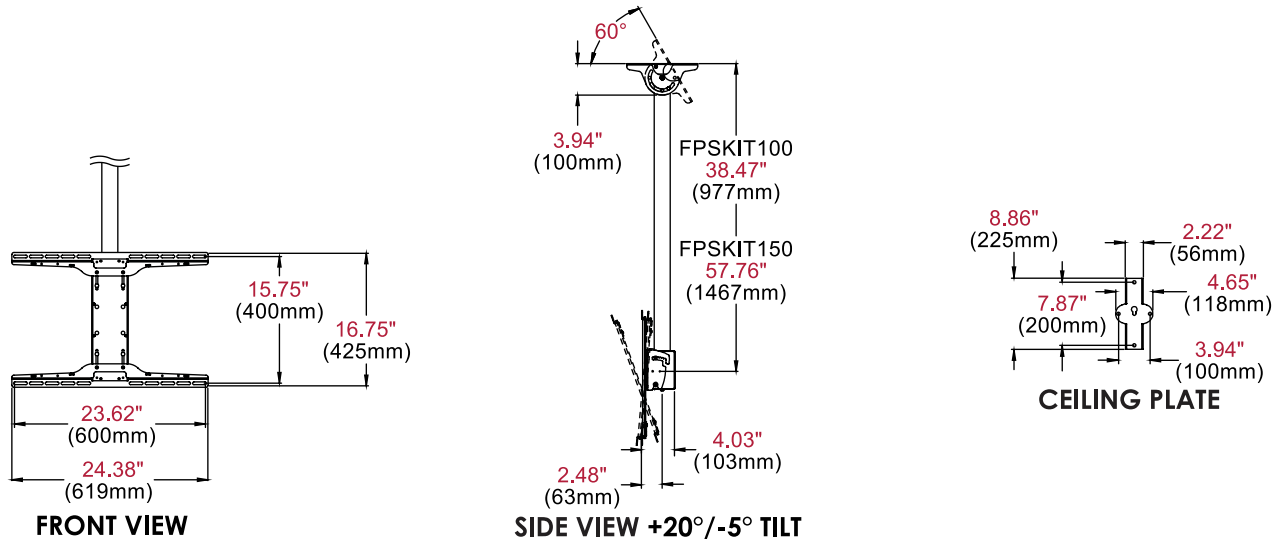
Accessories

MOD-ACF(-W): Accessory Cover for MOD-CPF Ceiling Plate
MOD-ADF: Accessory Drill Fixture for 50mm Pole
MOD-APC: Accessory Pole Coupler
MOD-ASC: Accessory Screen-Stacking Clamp
MOD-ATD-W: Accessory Trim Disc
MOD-AUB: Accessory U-Bolt Adaptor

MOD-CPC(-W): Ceiling Plate, Cathedral
MOD-CPF: Square Ceiling Plate, Flat (7.4" x 6.8")
MOD-CPI: I-Beam Ceiling Plate, Flat
MOD-FPMD: Flat Panel Mount, Dual Back-To-Back
MOD-FPMS(-W): Flat Panel Mount, Single
MOD-P100(-B): 50mm Extension Pole - 39" (1.0m)

MOD-P150(-B): 50mm Extension Pole - 59" (1.5m)
MOD-P200(-B): 50mm Extension Pole - 78" (2.0m)
MOD-P300(-B): 50mm Extension Pole - 118" (3.0m)
MOD-UNL: Universal Screen Adaptor, Large
MOD-UNM: Universal Screen Adaptor, Medium

All dimensions = inch (mm)



Architect Specifications

The Modular Series Ceiling Kit shall be a Peerless-AV model MOD-FPSKIT150(-B)/100(-B) and shall be located where indicated on the plans. Assembly and installation shall be done according to instructions provided by the manufacturer.

Visit peerless-av.com to see the complete line of AV solutions from Peerless-AV, including outdoor displays, wireless, kiosks, digital audio, display mounts, projector mounts, carts/stands, and a full assortment of accessories.

Peerless-AV
 2300 White Oak Circle
 Aurora, IL 60502 USA
(800) 865-2112
(630) 375-5100
Fax: (800) 359-6500

Peerless-AV EMEA
 Unit 3 Watford Interchange
 Colonial Way, Watford
 Herts, WD24 4WP
 United Kingdom
+44 (0) 1923 200100
Fax: +44 (0) 1923 200101

Peerless-AV Latin America
 Ave de las Industrias 413
 Parque Industrial Escobedo
 Escobedo, N.L.,
 Mexico 66062
+52 (81) 8384-8300
Fax: +52 (81) 8384-8360

peerless-AV®
 Driving Technology Through Innovation