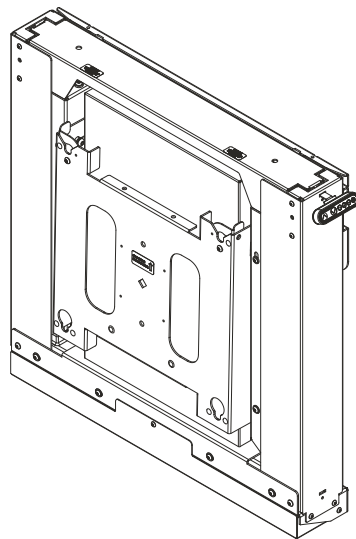
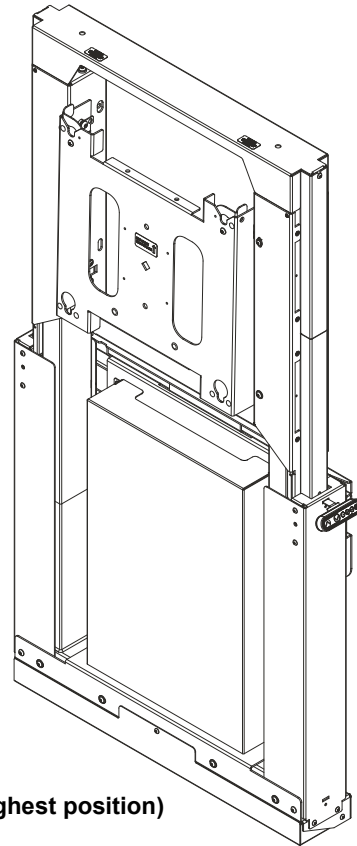

INSTALLATION INSTRUCTIONS



(Lowest position)



(Highest position)

Electric Height Adjustable Wall Mount

 **CHIEF**[®]

A brand of  **legrand**[®]

XSD1U

DISCLAIMER

Legrand | AV and its affiliated corporations and subsidiaries (collectively "Legrand | AV"), intend to make this manual accurate and complete. However, Legrand | AV makes no claim that the information contained herein covers all details, conditions or variations, nor does it provide for every possible contingency in connection with the installation or use of this product. The information contained in this document is subject to change without notice or obligation of any kind. Legrand | AV makes no representation of warranty, expressed or implied, regarding the information contained herein. Legrand | AV assumes no responsibility for accuracy, completeness or sufficiency of the information contained in this document.

DEFINITIONS

MOUNTING SYSTEM: A MOUNTING SYSTEM is the primary Chief product to which an accessory and/or component is attached.

ACCESSORY: AN ACCESSORY is the secondary Chief product which is attached to a primary Chief product, and may have a component attached or setting on it.

COMPONENT: A COMPONENT is an audiovisual item designed to be attached or resting on an accessory or mounting system such as a video camera, CPU, screen, display, projector, etc.



WARNING: A WARNING alerts you to the possibility of serious injury or death if you do not follow the instructions.



CAUTION: A CAUTION alerts you to the possibility of damage or destruction of equipment if you do not follow the corresponding instructions.



IMPORTANT SAFETY INSTRUCTIONS

FAILURE TO READ AND FOLLOW THE FOLLOWING INSTRUCTIONS CAN RESULT IN SERIOUS PERSONAL INJURY, DAMAGE TO EQUIPMENT OR VOIDING OF FACTORY WARRANTY. It is the installer's responsibility to make sure all components are properly assembled and installed using the instructions provided.

When using an electrical mounting system, basic precautions should always be followed, including the following:

READ ALL INSTRUCTIONS BEFORE USING THIS PRODUCT!!!!



DANGER: TO REDUCE THE RISK OF ELECTRIC SHOCK:

1. Always turn off power at source before cleaning.



WARNING: TO REDUCE THE RISK OF BURNS, FIRE, ELECTRIC SHOCK, OR INJURY TO PERSONS:

1. Unplug from outlet before putting on or taking off parts.
2. Close supervision is necessary when this furnishing is used by, or near children, invalids, or disabled persons.
3. Use this furnishing only for its intended use as described in these instructions. Do not use attachments not recommended by the manufacturer.
4. Never operate this mounting system if it has a damaged cord or plug, if it is not working properly, if it has been dropped or damaged, or dropped into water. Return the mounting system to a service center for examination and repair.
5. Keep the cord away from heated surfaces.
6. Never operate the furnishing with the air openings blocked. Keep the air openings free of lint, hair, and the like.
7. Never drop or insert any object into any opening.
8. Do not use outdoors.
9. Do not operate where aerosol (spray) products are being used or where oxygen is being administered.
10. To disconnect, turn all controls to the off position, then remove plug from outlet.



WARNING: Failure to provide adequate structural strength for this mounting system can result in serious personal injury or damage to equipment! It is the installer's responsibility to make sure the structure to which this mounting system is attached can support five times the combined weight of all equipment. Reinforce the structure as required before installing the mounting system. For wood stud installation, the wall to which the mounting system / accessory is being attached may have a maximum drywall thickness of 5/8" (1.6cm). Do not install drywall anchors into the seam between drywall pieces.



WARNING: Exceeding the weight capacity can result in serious personal injury or damage to equipment! It is the installer's responsibility to make sure the weight of all components attached to the XSD1U head assembly up to (and including) the display does not exceed 310 lbs (140.6 kg). If mounting to a 2" x 4"-25ga minimum steel stud wall the weight limit is reduced to only 290 lbs (131.5 kg).



WARNING: Use this mounting system only for its intended use as described in these instructions. Do not use attachments not recommended by the manufacturer.



WARNING: Never operate this mounting system if it is damaged. Return the mounting system to a service center for examination and repair.

IMPORTANT ! : Any display mounted to the XSD1U should have a minimum display height of 29 3/8" in order to avoid possible pinch points when the height is being adjusted.

NOTE: The XSD1U mount has no user serviceable parts.

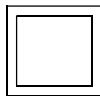
NOTE: The XSD1U mount can support screen sizes up to a maximum of 100" wide.

The XSD1U can be to be mounted to:

- a bare concrete wall with a minimum thickness of 8" (203mm);
- a bare 8" x 8" x 16" (203mm x 203mm x 406mm) concrete block wall;
- wood studs spaced 16" or 24" on center with a maximum drywall covering of 5/8"; or
- a 2" x 4"-25ga minimum steel stud wall.
- a 1/2" minimum thickness plywood-backed, steel stud wall covered with drywall having a maximum thickness of 5/8".

NOTE: To reduce the risk of electric shock, this furnishing has a polarized plug (one blade is wider than the other). This plug will fit in a polarized outlet only one way. If the plug does not fit fully in the outlet, reverse the plug. If it still does not fit, contact a qualified electrician to install the proper outlet. Do not change the plug in any way.

NOTE: This product is a double-insulated, cord-connected product and must be serviced accordingly. In a double-insulated product, two systems of insulation are provided instead of grounding. No grounding means for grounding to be added to the product Servicing a double-insulated product requires extreme care and knowledge of the system, and is to be done only by qualified service personnel. Replacement parts for a double-insulated product must be identical to the parts they replace. A double-insulated product is marked with the symbol (square within a square)



connected.

- Consult the dealer or an experienced radio/TV technician for help.

CAUTION: Changes or modifications to this unit not expressly approved by the manufacturer can void the units FCC compliance rating and make the unit illegal to operate.

Responsible Party:

Legrand AV Division Headquarters
 6436 City West Parkway
 Eden Prairie, MN 55344
 866-977-3901
 av.support@legrand.com

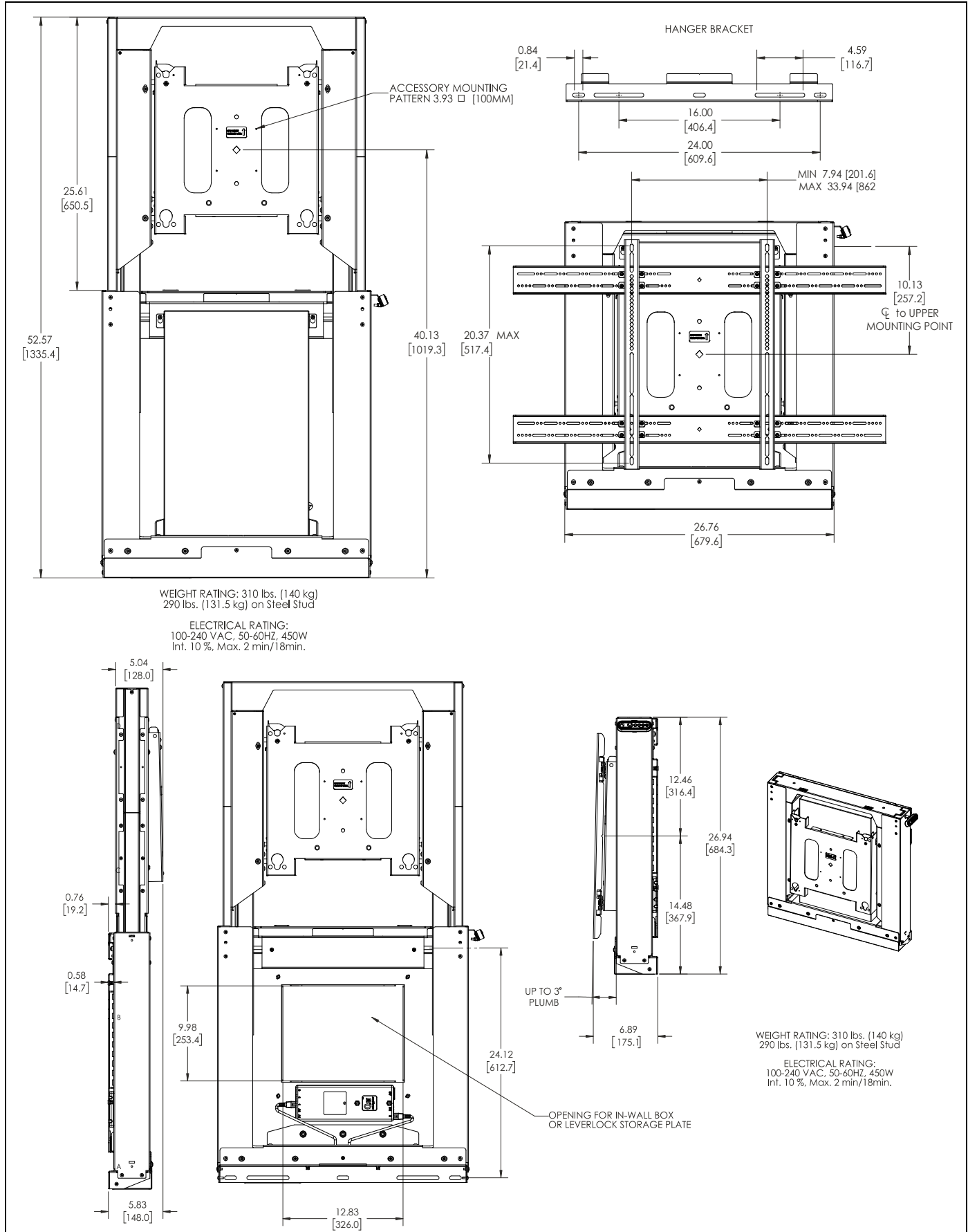
--SAVE THESE INSTRUCTIONS--

Electrical Specifications	
Input voltage, frequency	100-240 V~, 50-60 Hz, 450W
Duty Cycle	Intermittent: 10%; max 2 minutes on/18 minutes off

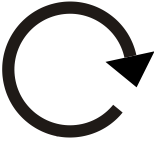

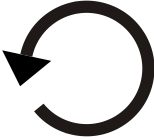









NOTE: This equipment has been tested and found to comply with the limits for a Class B digital device, pursuant to Part 15 of the FCC Rules. These limits are designed to provide reasonable protection against harmful interference in a residential installation. This equipment generates, uses and can radiate radio frequency energy and, if not installed and used in accordance with the instructions, may cause harmful interference to radio communications. However, there is no guarantee that interference will not occur in a particular installation. If this equipment does cause harmful interference to radio or television reception, which can be determined by turning the equipment off and on, the user is encouraged to try to correct the interference by one or more of the following measures:

- Reorient or relocate the receiving antenna.
- Increase the separation between the equipment and receiver.
- Connect the equipment into an outlet on a circuit different from that to which the receiver is

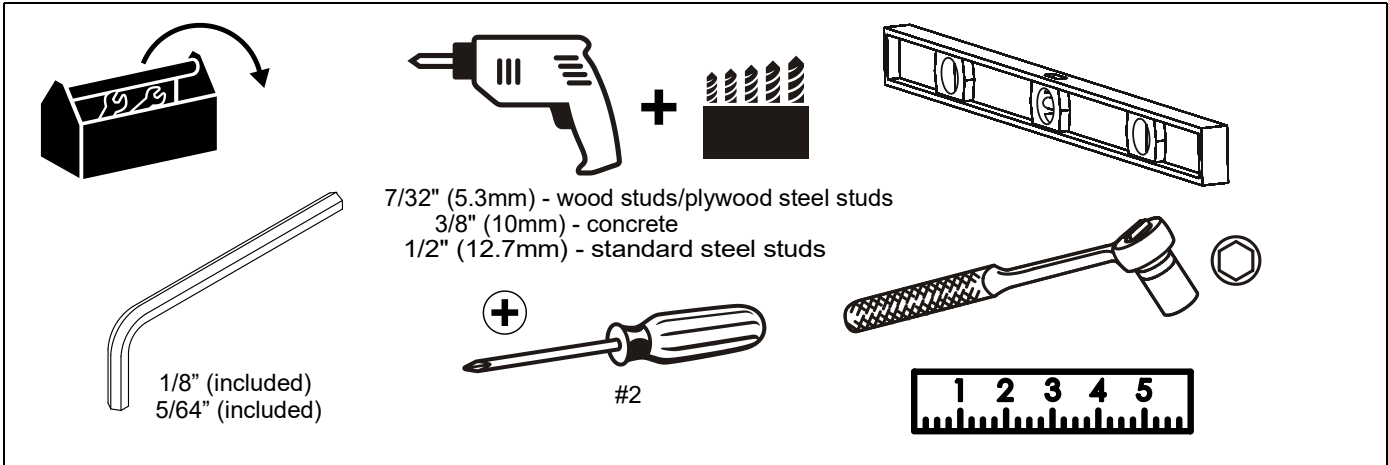
DIMENSIONS



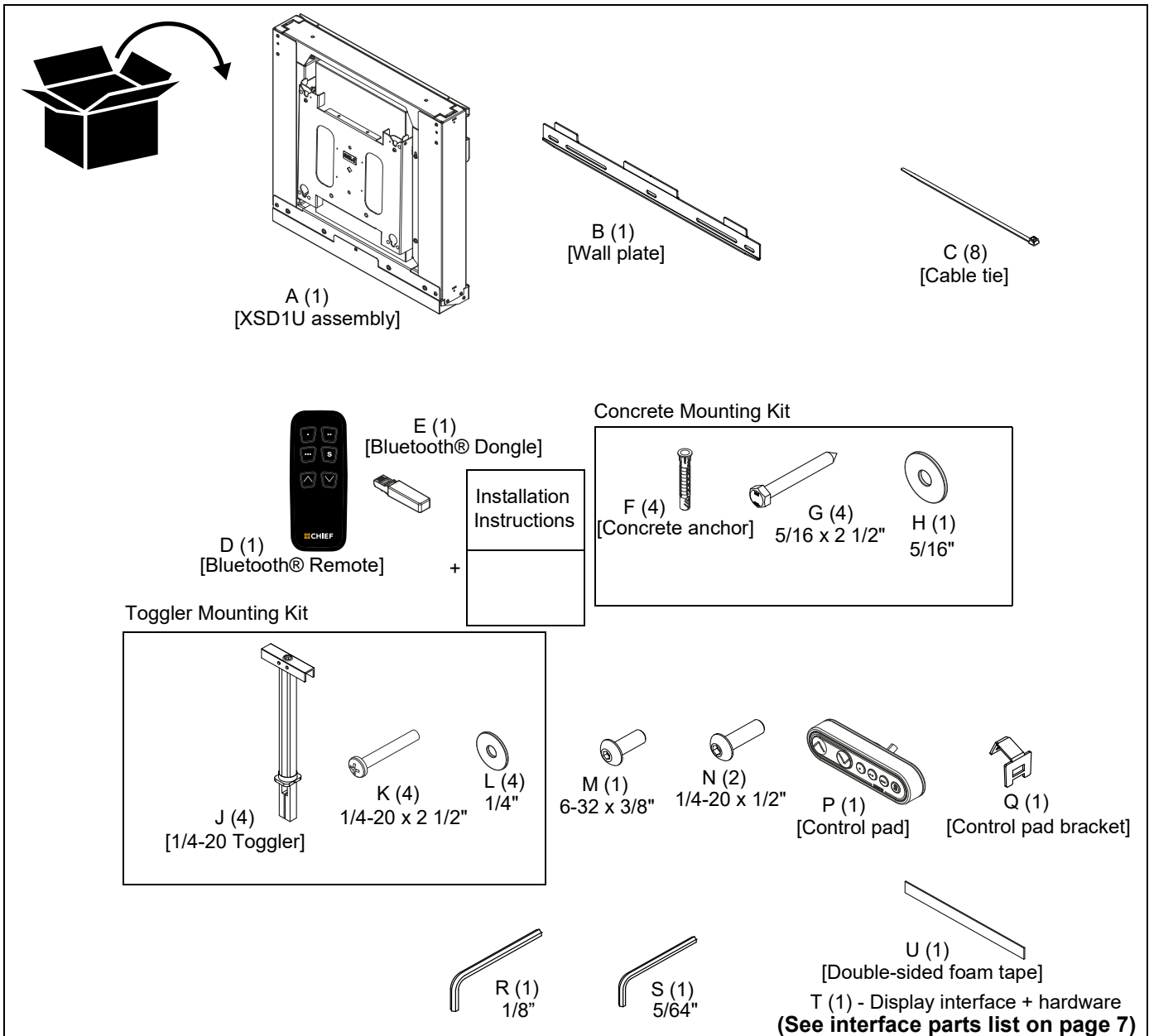
LEGEND

	<p>Tighten Fastener</p> <p>Apretar elemento de fijación</p> <p>Befestigungsteil festziehen</p> <p>Apertar fixador</p> <p>Serrare il fissaggio</p> <p>Bevestiging vastdraaien</p> <p>Serrez les fixations</p>		<p>Pencil Mark</p> <p>Marcar con lápiz</p> <p>Stiftmarkierung</p> <p>Marcar com lápis</p> <p>Segno a matita</p> <p>Potloodmerkten</p> <p>Marquage au crayon</p>
	<p>Loosen Fastener</p> <p>Aflojar elemento de fijación</p> <p>Befestigungsteil lösen</p> <p>Desapertar fixador</p> <p>Allentare il fissaggio</p> <p>Bevestiging losdraaien</p> <p>Desserrez les fixations</p>		<p>Drill Hole</p> <p>Perforar</p> <p>Bohrloch</p> <p>Fazer furo</p> <p>Praticare un foro</p> <p>Gat boren</p> <p>Percez un trou</p>
	<p>Phillips Screwdriver</p> <p>Destornillador Phillips</p> <p>Kreuzschlitzschraubendreher</p> <p>Chave de fendas Phillips</p> <p>Cacciavite a stella</p> <p>Kruiskopschroevendraaier</p> <p>Tournevis à pointe cruciforme</p>		<p>Adjust</p> <p>Ajustar</p> <p>Einstellen</p> <p>Ajustar</p> <p>Regolare</p> <p>Afstellen</p> <p>Ajuster</p>
	<p>Open-Ended Wrench</p> <p>Llave de boca</p> <p>Gabelschlüssel</p> <p>Chave de bocas</p> <p>Chiave a punte aperte</p> <p>Steeksleutel</p> <p>Clé à fourche</p>		<p>Remove</p> <p>Quitar</p> <p>Entfernen</p> <p>Remover</p> <p>Rimuovere</p> <p>Verwijderen</p> <p>Retirez</p>
	<p>By Hand</p> <p>A mano</p> <p>Von Hand</p> <p>Com a mão</p> <p>A mano</p> <p>Met de hand</p> <p>À la main</p>		<p>Optional</p> <p>Opcional</p> <p>Optional</p> <p>Opcional</p> <p>Opzionale</p> <p>Optie</p> <p>En option</p>
	<p>Hex-Head Wrench</p> <p>Llave de cabeza hexagonal</p> <p>Sechskantschlüssel</p> <p>Chave de cabeça sextavada</p> <p>Chiave esagonale</p> <p>Zeskantsleutel</p> <p>Clé à tête hexagonale</p>		<p>Security Wrench</p> <p>Llave de seguridad</p> <p>Sicherheitsschlüssel</p> <p>Chave de segurança</p> <p>Chiave di sicurezza</p> <p>Veiligheidsleutel</p> <p>Clé de sécurité</p>


TOOLS REQUIRED FOR INSTALLATION

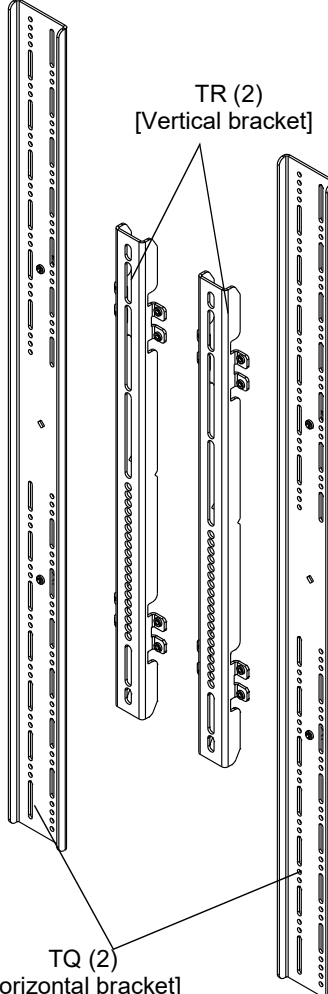


PARTS



PARTS - DISPLAY INTERFACE




















TR (2)
[Vertical bracket]

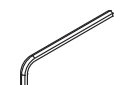
TQ (2)
[Horizontal bracket]

Hardware Kit

<p>Bag A</p>  <p>TA (4) M4 x 12mm</p>	<p>Bag B</p>  <p>TB (4) M4 x 20mm</p>	<p>Bag C</p>  <p>TC (4) M4 x 25mm</p>
<p>Bag D</p>  <p>TD (4) M5 x 12mm</p>	<p>Bag E</p>  <p>TE (4) M5 x 20mm</p>	<p>Bag F</p>  <p>TF (4) M5 x 25mm</p>
<p>Bag G</p>  <p>TG (4) M6 x 12mm</p>	<p>Bag H</p>  <p>TH (4) M6 x 20mm</p>	<p>Bag I</p>  <p>TI (4) M6 x 25mm</p>
<p>Bag J</p>  <p>TJ (4) M8 x 12mm</p>	<p>Bag K</p>  <p>TK (4) M8 x 20mm</p>	<p>Bag L</p>  <p>TL (4) M8 x 30mm</p>
<p>Bag M</p> <div style="display: flex; justify-content: space-around; align-items: center;"> <div style="text-align: center;">  <p>TMA (8) [Nesting spacer]</p> </div> <div style="text-align: center;">  <p>TMB (4) [Universal spacer]</p> </div> </div>		



TN (8)
#10-24 x 1/2"



TP (1)
1/8"

Assembly And Installation

The XSD1U can be to be mounted to:

- a bare concrete wall with a minimum thickness of 8" (203mm);
- a bare 8" x 8" x 16" (203mm x 203mm x 406mm) concrete block wall;
- wood studs spaced 16" or 24" on center with a maximum drywall covering of 5/8"; or
- a 2" x 4"-25ga minimum steel stud wall.
- a 1/2" minimum thickness plywood-backed, steel stud wall covered with drywall having a maximum thickness of 5/8".

Installing to Wood Stud Wall

1. Use a stud-finder to locate 16" or 24" studs.
2. Place top bracket (B) against wall at desired mounting location 10 1/8" above the desired center of the screen. Use a level to ensure a level mount. (See Figure 1)
3. Mark hole locations at each mounting location in the center of each stud. (See Figure 1)
4. Drill two 7/32" holes at marked hole locations. (See Figure 1)
5. Install two 5/16 x 2 1/2" hex head cap screws (G) through two 5/16" washers (H), holes on top bracket and into drilled holes on wall. (See Figure 1)

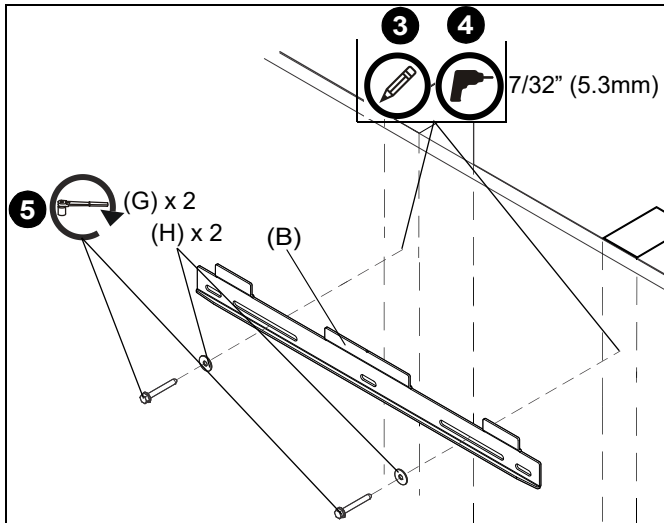


Figure 1



CAUTION: Use proper lifting techniques and two people to install XSD1U assembly onto wall!

6. Carefully hang XSD1U assembly (A) onto top bracket (B), making sure mount slides behind upper flange on top bracket (B). (See Figure 2)

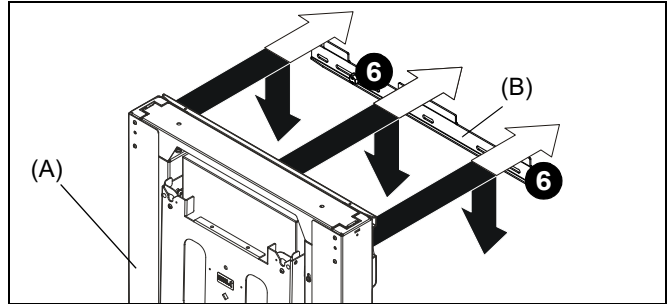


Figure 2

7. Remove screw holding bottom cover to XSD1U assembly (A) and remove bottom cover. (See Figure 3)

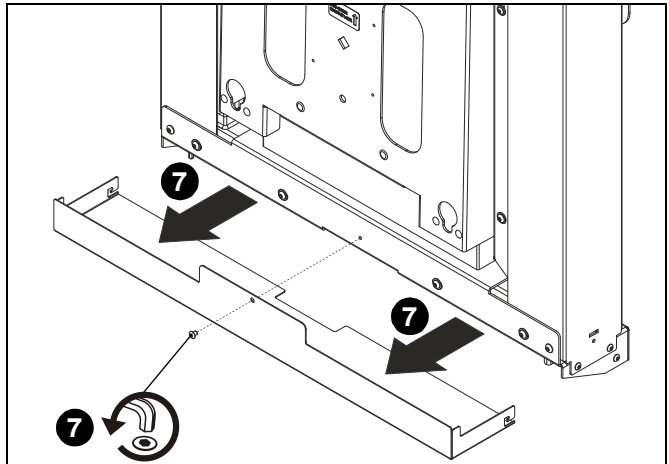


Figure 3

8. Mark hole locations for lower two mounting holes. (See Figure 4)
9. Remove mount (A) from top bracket.
10. Drill two 7/32" holes at marked hole locations. (See Figure 4)

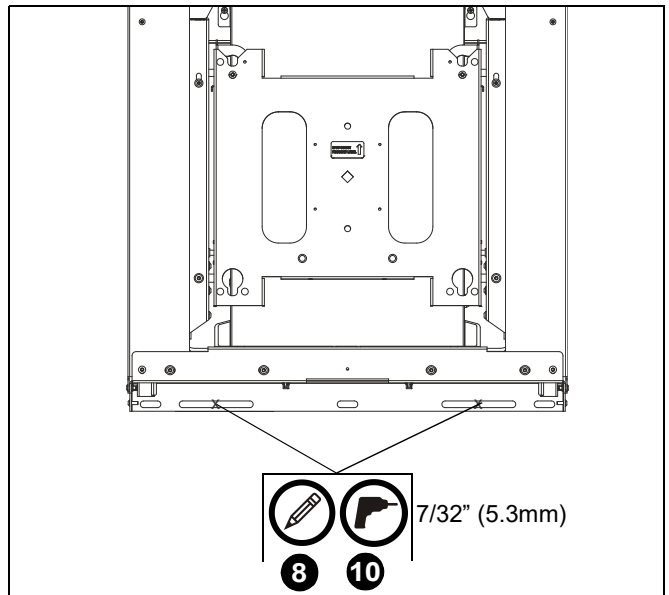


Figure 4

11. Install two 5/16 x 2 1/2" hex head cap screws (G) through two 5/16" washers (H), lower mounting holes on mount and into drilled holes on wall. (See Figure 5)

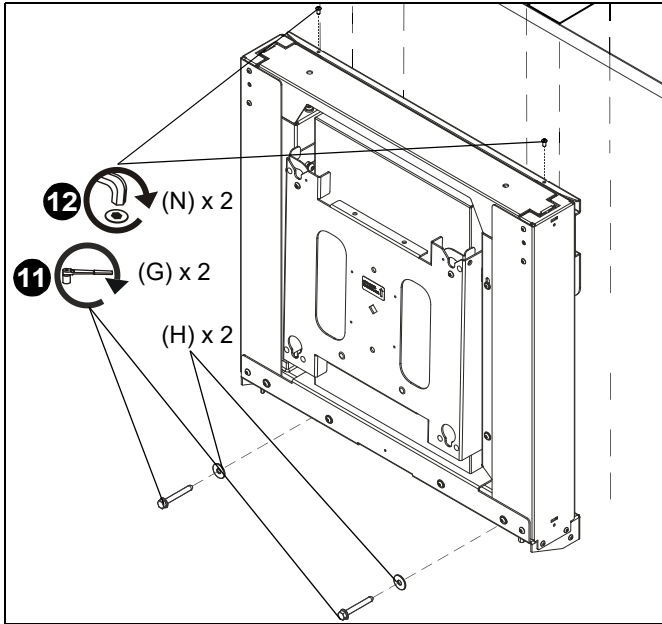


Figure 5

12. Use two 1/4-20 x 1/2" button head cap screws (N) and 1/8" hex key (R) to secure mount to wall. (See Figure 5)

Installing to a Concrete Wall

1. Place top bracket (B) against wall at desired mounting location 10 1/8" above the desired center of the screen. Use a level to ensure a level mount. (See Figure 6)
2. Mark hole locations at each mounting location near the center of each mounting slot. (See Figure 6)
3. Drill two 3/8" holes at marked hole locations. (See Figure 6)
4. Install a concrete anchor (F) into each pilot hole using a hammer, making sure that the anchor is flush with the wall. (See Figure 6)
5. Install two 5/16 x 2 1/2" hex head cap screws (G) through two 5/16" washers, holes on top bracket (B) and into concrete anchors (F). (See Figure 6)

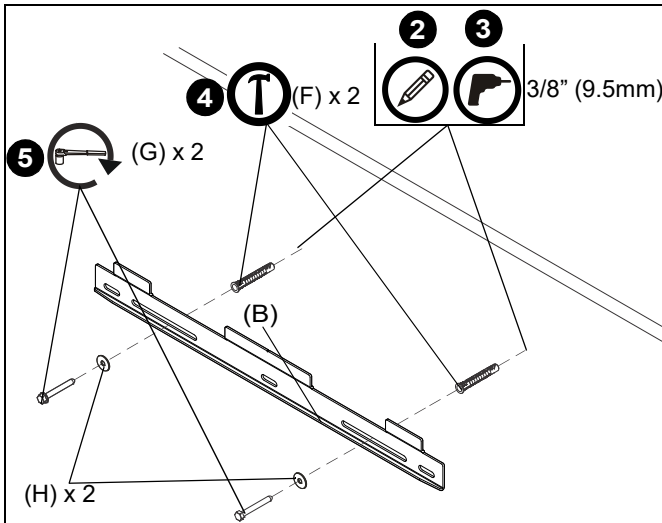


Figure 6



CAUTION: Use proper lifting techniques and two people to install XSD1U assembly onto wall!

6. Hang XSD1U assembly (A) onto top bracket (B) by placing the teardrop mounting holes on mount over thumb nuts on bracket. (See Figure 7)

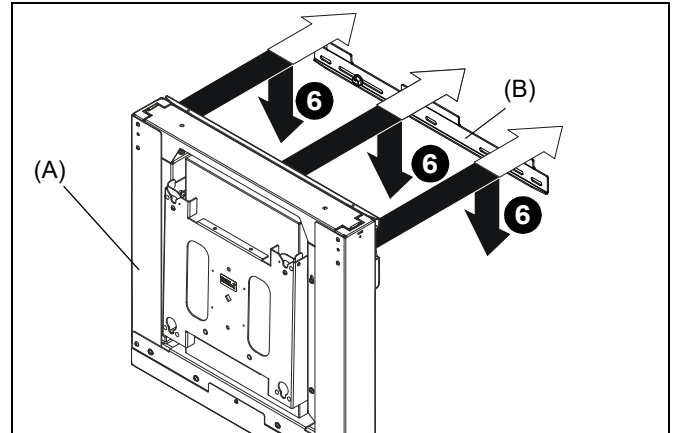


Figure 7

7. Remove screw holding bottom cover to XSD1U assembly (A) and remove bottom cover. (See Figure 8)

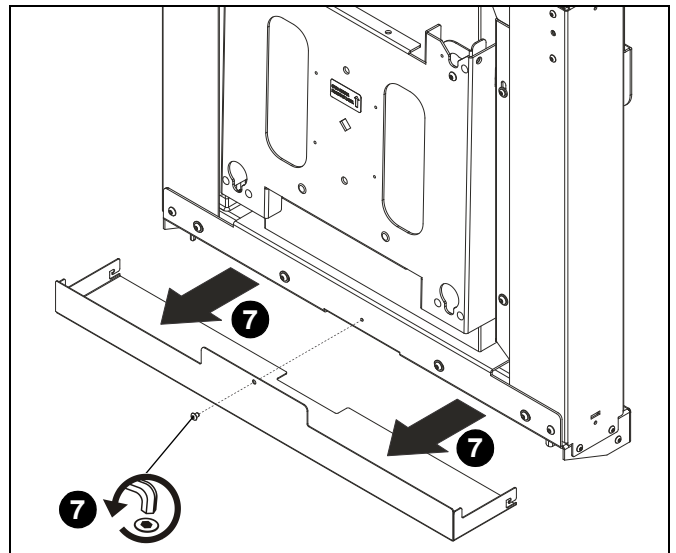


Figure 8

8. Mark hole locations for lower two mounting holes. (See Figure 9)
9. Remove mount (A) from top bracket.
10. Drill two 3/8" holes at marked hole locations. (See Figure 9)

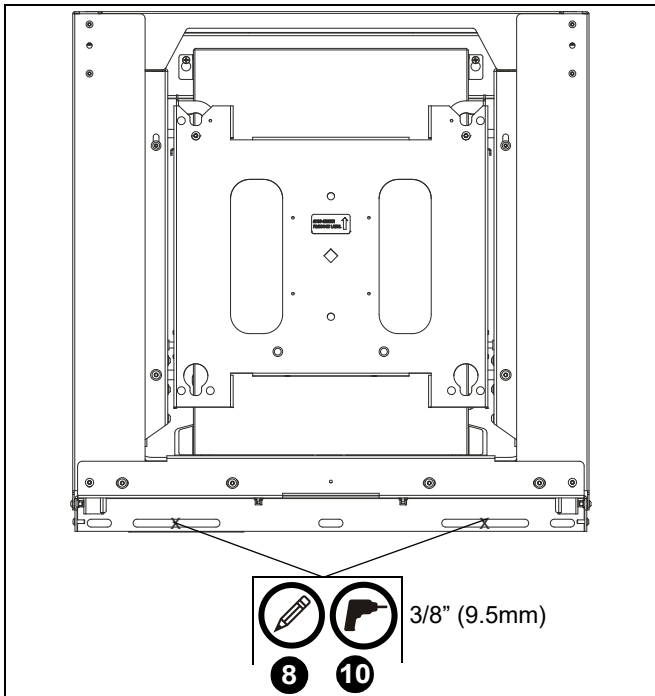


Figure 9

11. Install an anchor (F) into each pilot hole using a hammer, making sure that the anchor is flush with the wall. (See Figure 10)

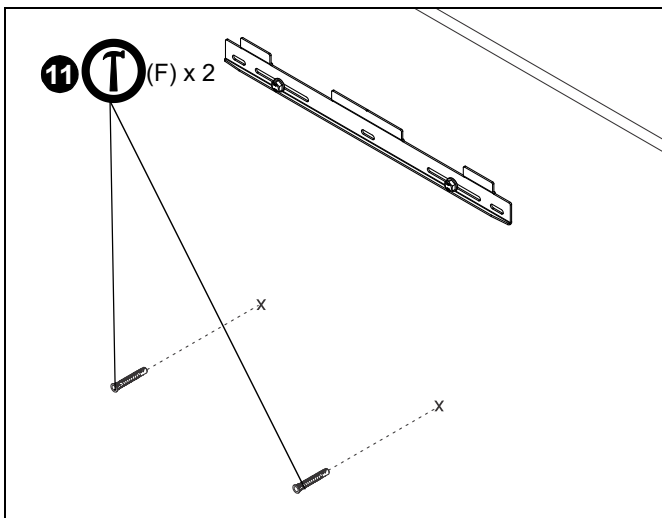


Figure 10

12. Hang wall mount back onto top bracket and install two 5/16 x 2 1/2" hex head cap screws (G) through two 5/16" washers (H), lower mounting holes on mount and into concrete anchors. (See Figure 11)

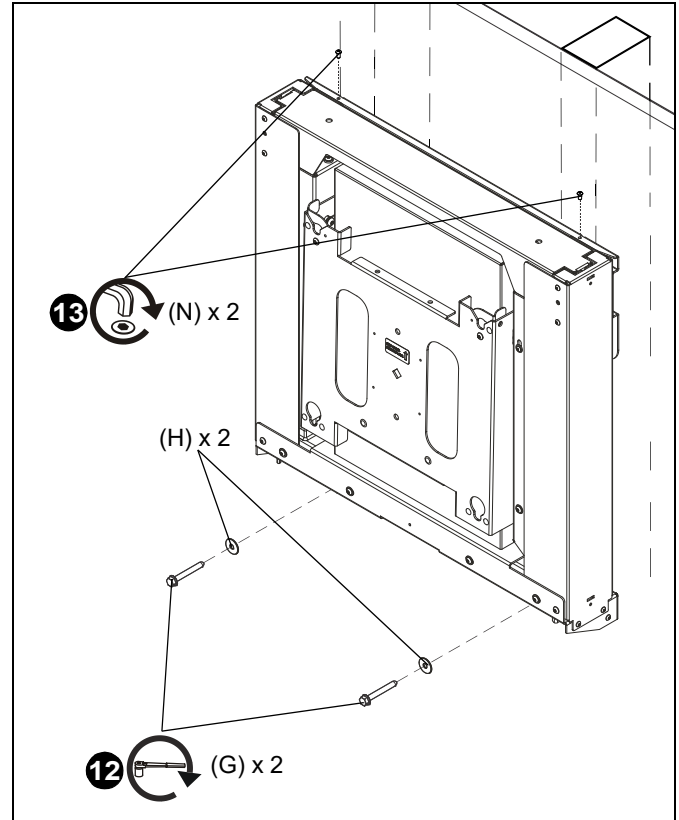


Figure 11

13. Use two 1/4-20 x 1/2" button head cap screws (N) and 1/8" hex key (R) to secure mount to wall. (See Figure 11)

Installing to Steel Studs

Make sure installation site meets the requirements shown on page 11 or 12. (See Figure 12) or (See Figure 13)

Site Requirements (Plywood-Backed Steel Stud)

1. Install to plywood-backed steel stud wall using the same instructions as installing to a wood stud wall. See pages 8-9.

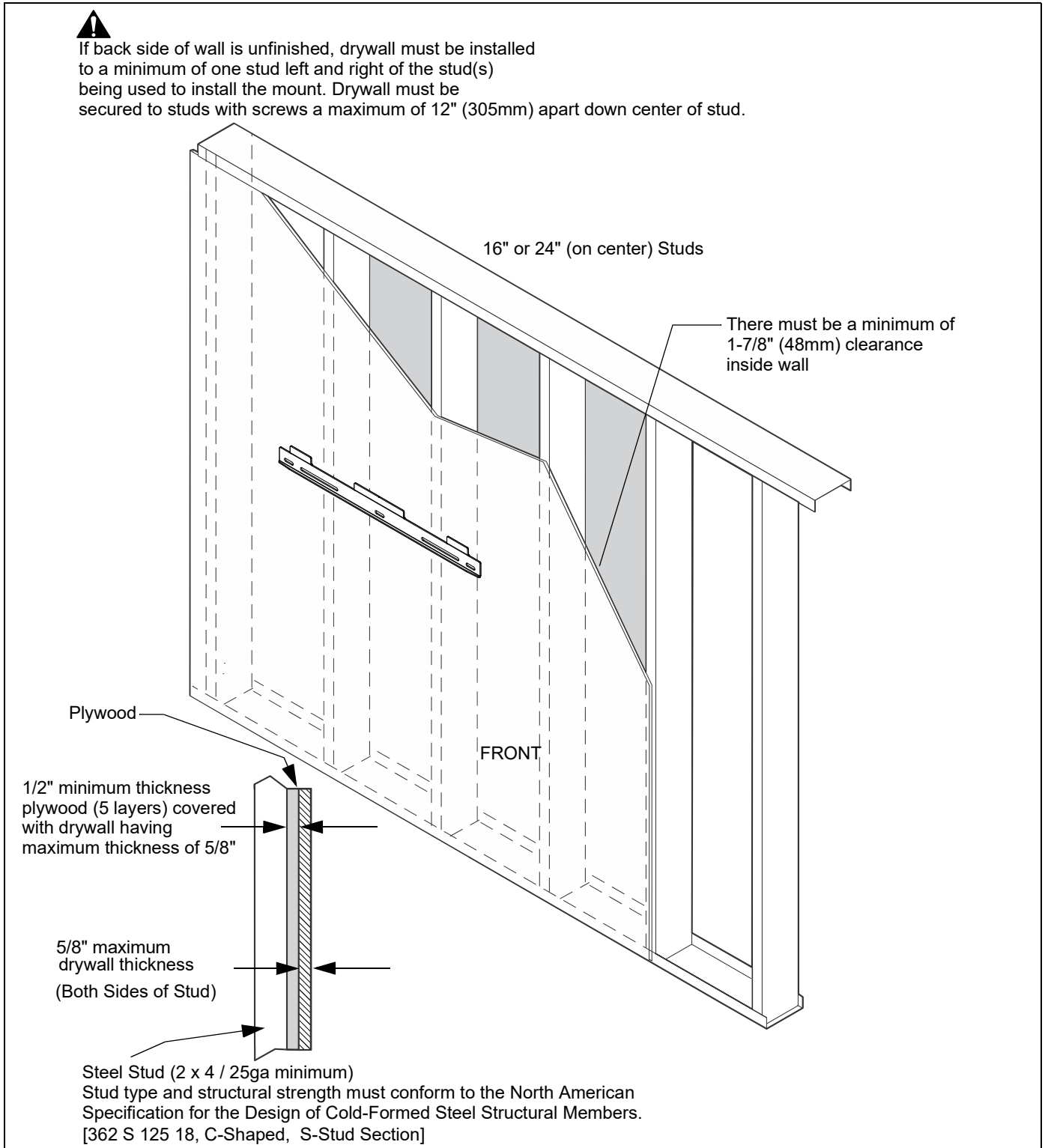


Figure 12

Site Requirements (Steel Studs without Plywood Backing)

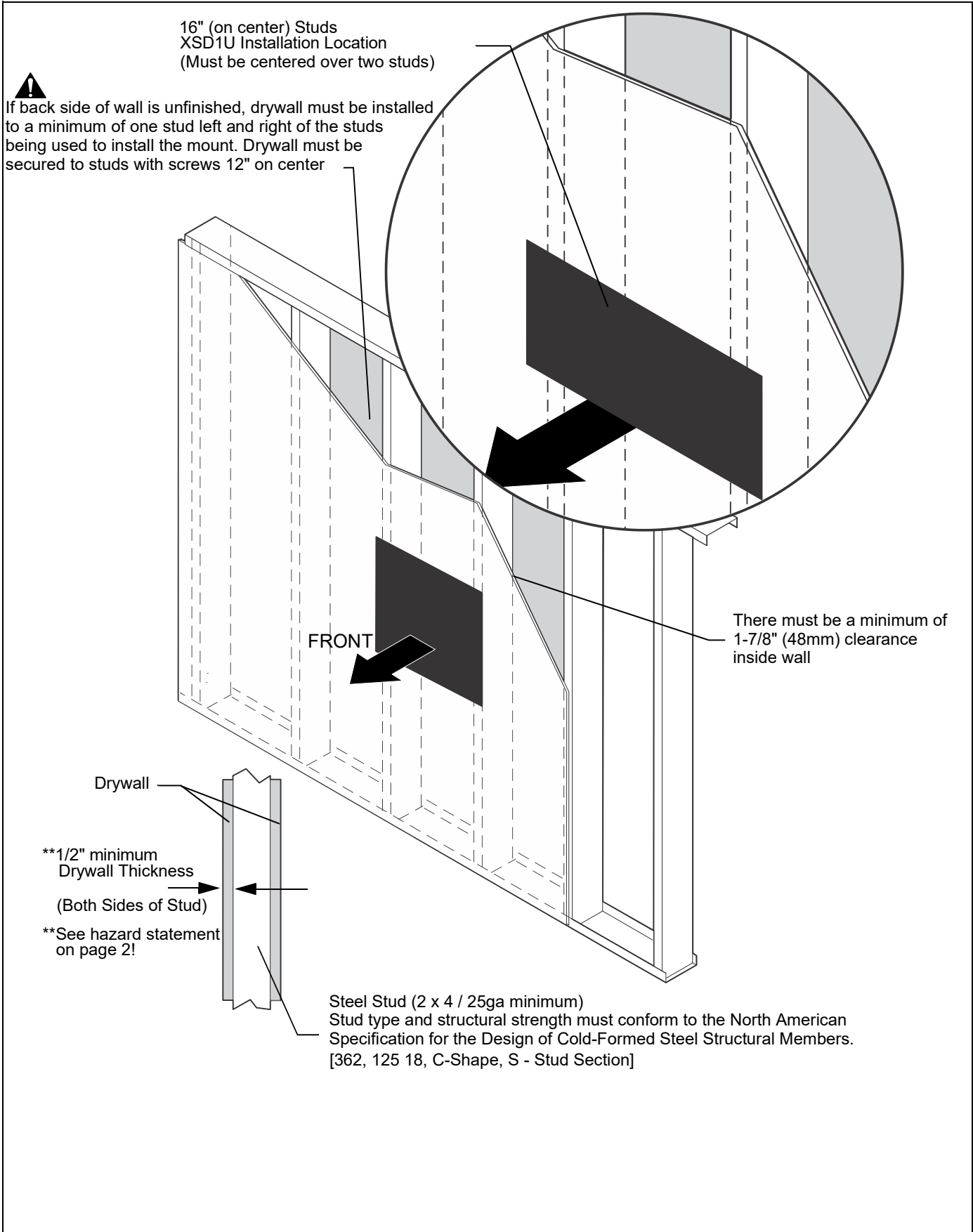


Figure 13

1. Place top bracket (B) against wall at desired mounting location 10 1/8" above the desired center of the screen. Use a level to ensure a level mount. (See Figure 1)
2. Mark hole locations at each mounting location near the center of each mounting slot.
3. Drill two 1/2" holes at marked hole locations.
4. Hold metal channel on anchor (J) flat alongside plastic straps and slide channel through hole. (See Figure 14)

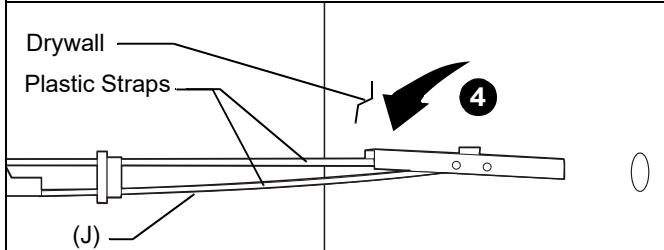


Figure 14

5. Holding plastic straps on anchor (J), pull anchor away from wall until channel rests flush behind wall making sure anchor channel is positioned vertically on stud. (See Figure 15)
6. Slide plastic cap on anchor (J) towards wall until flange of cap is flush with wall. (See Figure 15)

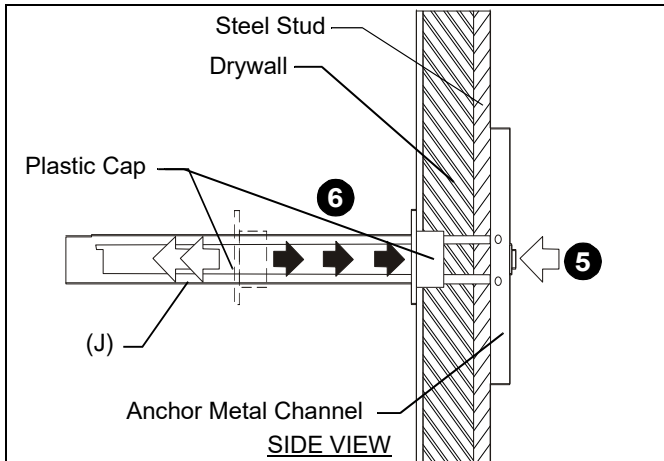


Figure 15

7. Snap off plastic straps on anchor at wall by pushing side to side, snapping off straps level with flange of plastic cap. (See Figure 16)

8. Repeat Steps 4 through 7 for the other mounting hole.

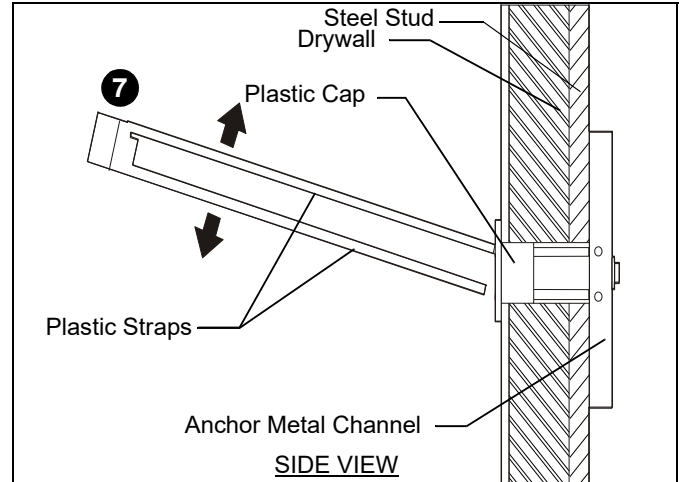


Figure 16

9. Place top bracket (B) over anchors and align mounting holes on mount with holes in anchors. (See Figure 17)
10. Install a toggler anchor (J) into each pilot hole using a hammer, making sure that the anchor is flush with the wall. (See Figure 17)
11. Install two 1/4-20 x 2 1/2" Phillips pan machine screws (K) through two 1/4" washers (L), holes on top bracket (B) and into toggler anchors (J). (See Figure 17)

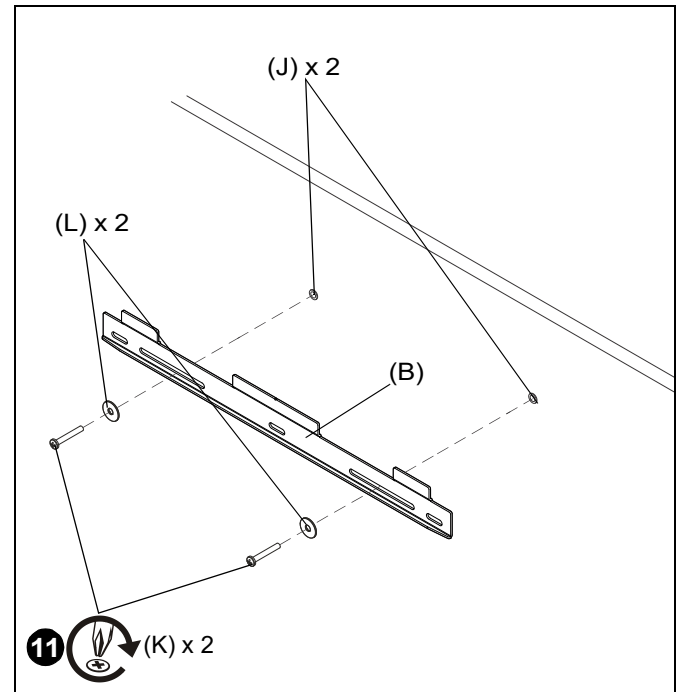


Figure 17



CAUTION: Use proper lifting techniques and at least two people to install XSD1U assembly onto wall!

12. Hang XSD1U assembly (A) onto top bracket (B) by placing the teardrop mounting holes on mount over thumb nuts on bracket. (See Figure 18)

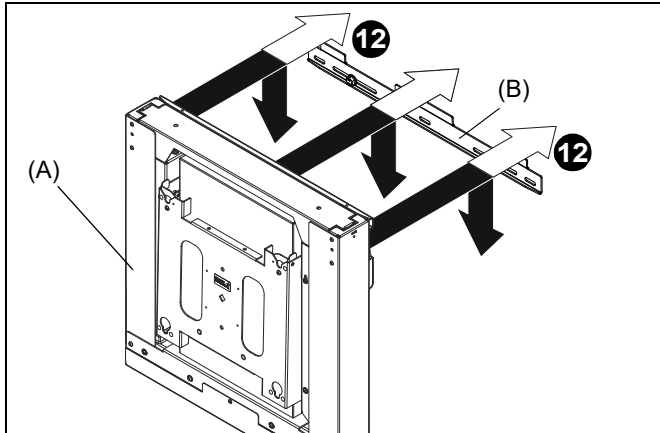


Figure 18

13. Remove screw holding bottom cover to XSD1U assembly (A) and remove bottom cover. (See Figure 19)

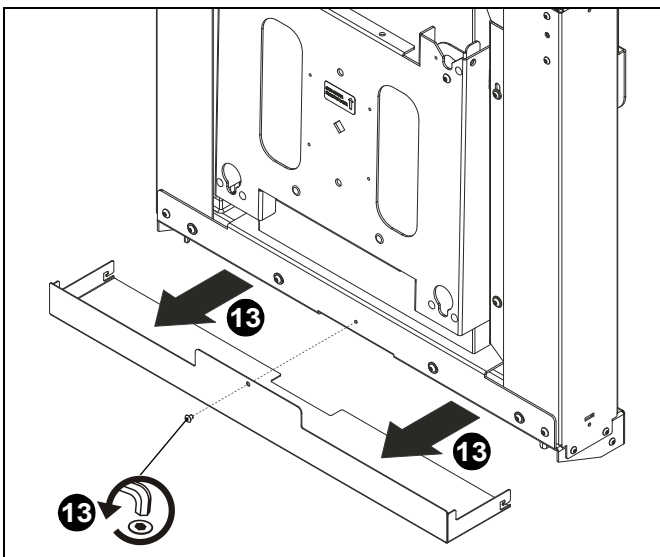


Figure 19

14. Mark hole locations for lower two mounting holes. (See Figure 20)
15. Remove mount (A) from top bracket.
16. Drill two 1/2" holes at marked hole locations. (See Figure 20)

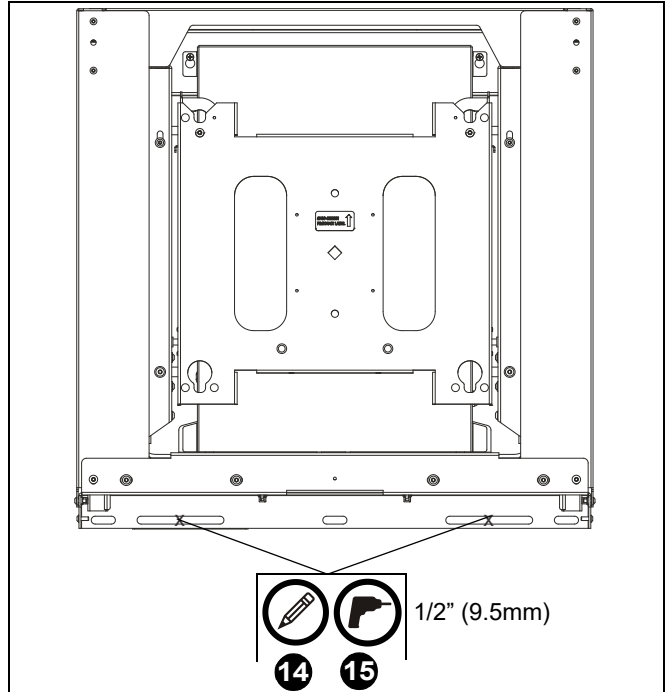


Figure 20

17. Install a toggler anchor (J) into each pilot hole following Steps 4-7 in this section.
18. Hang wall mount back onto top bracket and install two 1/4-20 x 2 1/2" Phillips pan machine screws (K) through lower mounting holes on mount and into toggler anchors (J). (See Figure 21)

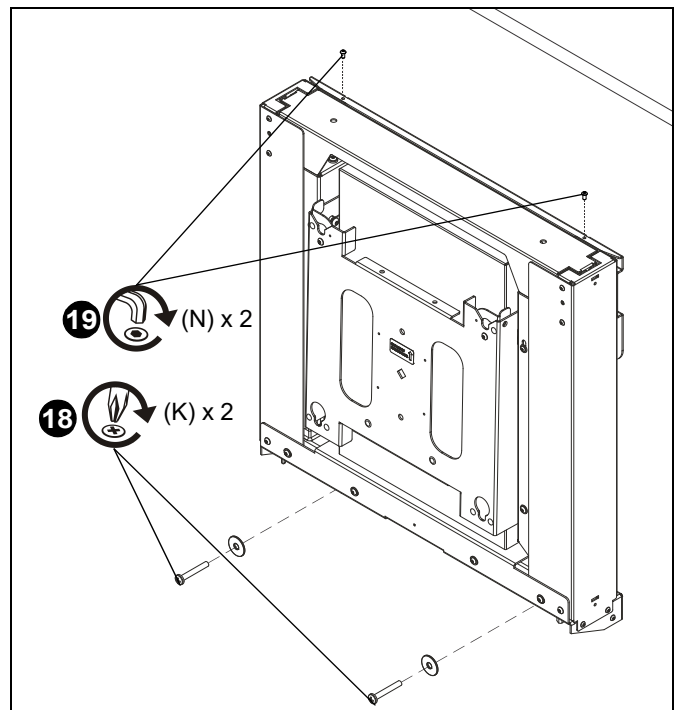


Figure 21

19. Use two 1/4-20 x 1/2" button head cap screws (N) and 1/8" hex key (R) to secure mount to wall. (See Figure 21)

Height-Adjustment Setup

1. Loosen two hex head cap screws inside outer slots one half turn each to loosen top bracket. (See Figure 22)
2. Remove top cover from XSD1U assembly. (See Figure 22)

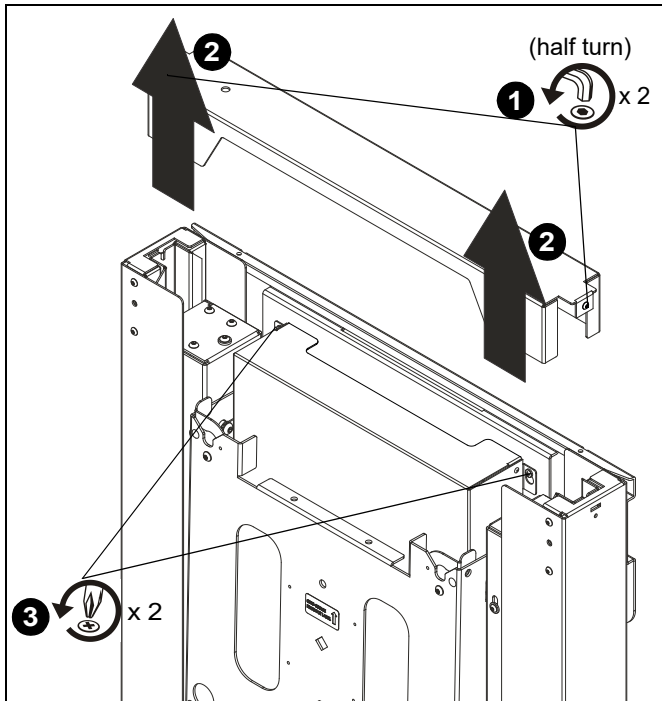


Figure 22

3. Loosen two Phillips screws holding inner cover to XSD1U. (See Figure 22)
4. Remove inner cover from XSD1U. (See Figure 23)

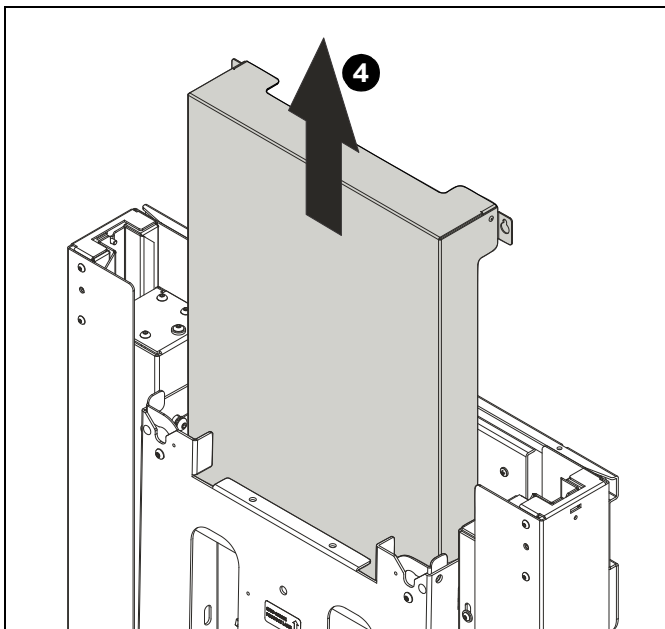


Figure 23

5. Install control pad bracket (Q) at desired control pad location. May be installed on either side, top or bottom, depending on user preference. (See Figure 24)

NOTE: The control pad (P) may also be installed to the bottom edge of the display using the double-sided tape (U). If this is desired, plug the switch directly to port A1 or A2 to initialize and route cable after display is installed.

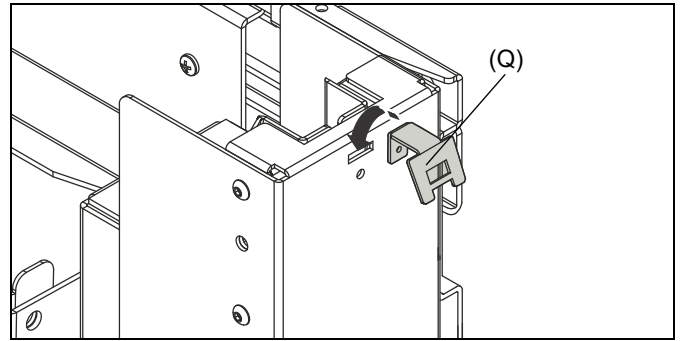


Figure 24

6. Use #6-32 x 3/8" button head cap screw (M) to secure control pad bracket (Q) to mount. (See Figure 25)

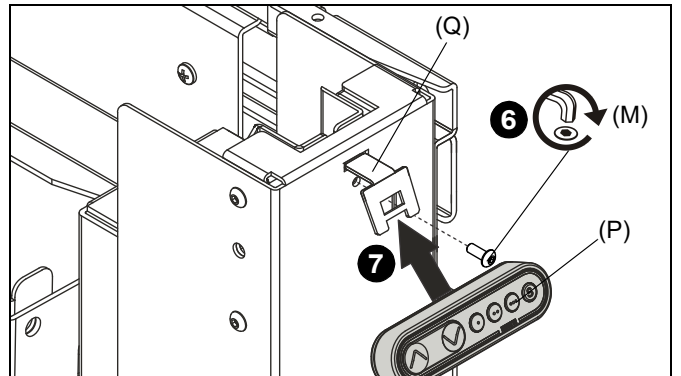


Figure 25

7. Install control pad (P) onto control pad bracket (Q). (See Figure 25)
8. Route and connect control pad cable to actuator box into port A1 or A2. (See Figure 26)

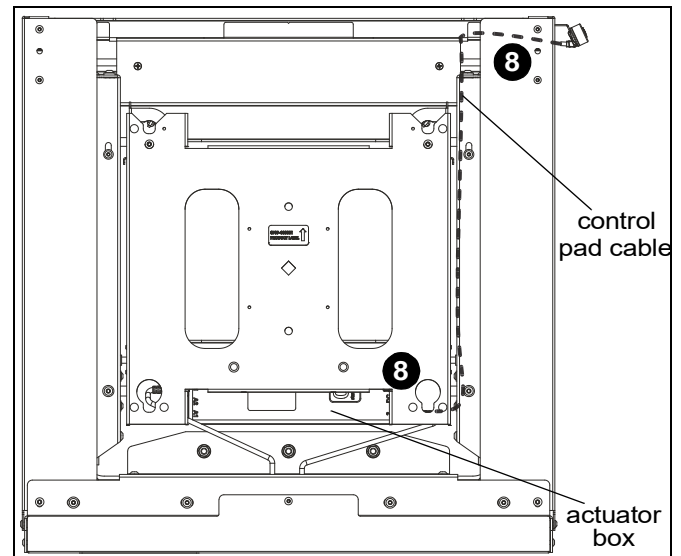


Figure 26

9. Press and hold "DOWN" button for three seconds to initialize lift mechanism. (See Figure 27)
10. Press and hold "UP" button until mount reaches its maximum height. (See Figure 27)

NOTE: If lifting mechanism does not function properly refer to "Troubleshooting" Section.

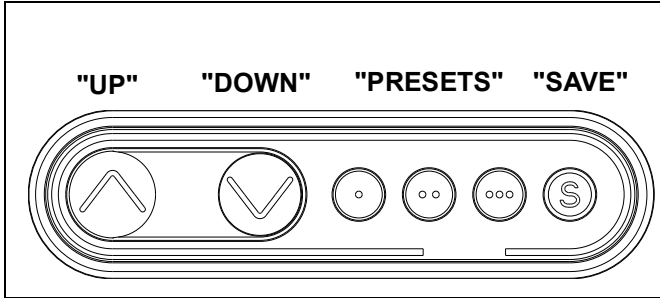


Figure 27

11. Attach display power, signal cables as well as peripheral cables as desired. See Cable Management section for details.
12. Reinstall inner cover and tighten Phillips screws to secure it in position. (See Figure 28)

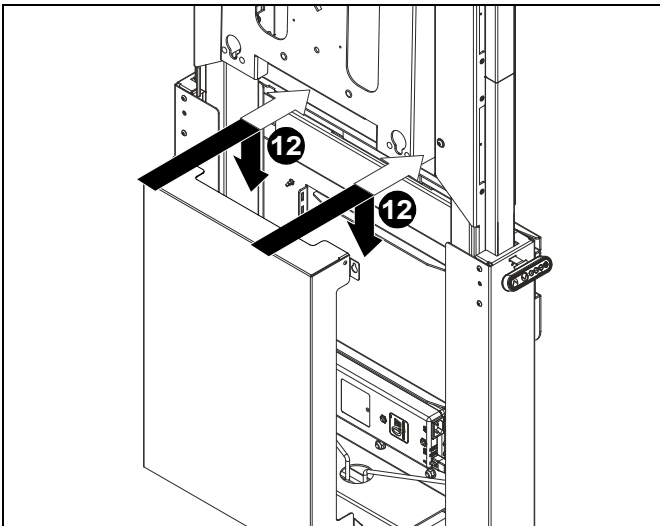


Figure 28

13. Press and hold "DOWN" button until mount reaches its minimum height.

NOTE: If control pad (P) was installed on either side at the top of the mount, mount will need to be partially extended in order to re-install top cover.

14. Re-install top cover and tighten button head cap screws to secure it in position. (See Figure 29)

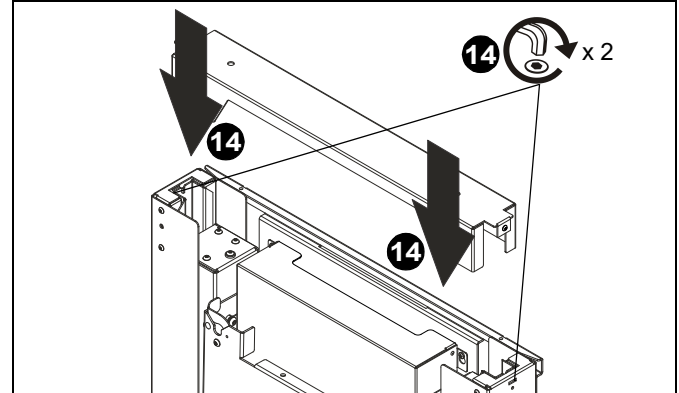


Figure 29

15. Re-install bottom cover and secure with removed button head cap screw. (See Figure 30)

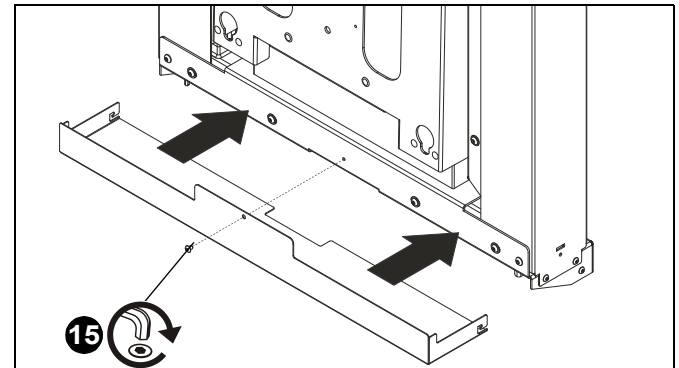


Figure 30

Display Installation



WARNING: Exceeding the weight capacity can result in serious personal injury or damage to equipment! It is the installer's responsibility to make sure the combined weight of all accessories and components attached to the XSD1U head assembly up to (and including) the display does not exceed 310 lbs (140.6 kg). If mounting to a 2" x 4"-25ga minimum steel stud wall the weight limit is reduced to only 290 lbs (131.5 kg).

1. Make sure height is at the lowest possible position.
2. Make sure latching flags are in "open" position. (See Figure 31)

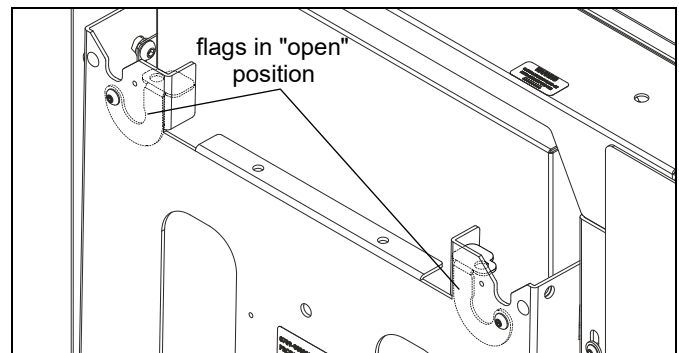


Figure 31



WARNING: IMPROPER INSTALLATION CAN LEAD TO MOUNT FALLING CAUSING SERIOUS PERSONAL INJURY OR DAMAGE TO EQUIPMENT! DO NOT substitute hardware. Only use hardware provided or specified by manufacturer.

3. Determine and mark the vertical center position between the Left side Upper and Lower mounting holes in display. (See Figure 32)
4. Determine and mark the vertical center position between the Right side Upper and Lower mounting holes in display. (See Figure 32)

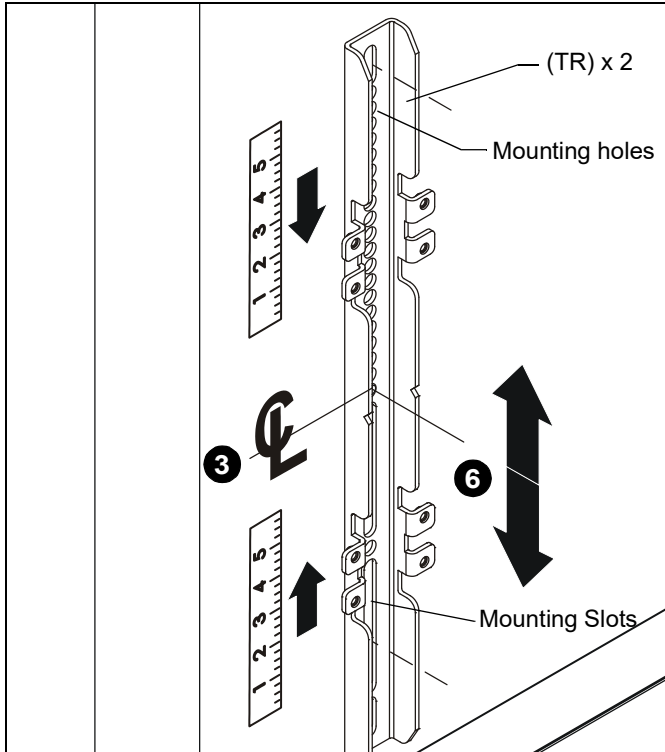


Figure 32

5. Orient vertical mounting bracket (TR) so that mounting holes are on top and mounting slots are on bottom. (See Figure 32)
6. Align mounting holes in vertical mounting bracket (TR) with upper and lower mounting holes in display.
7. Adjust vertical mounting bracket (TR) position until mark made in Step 1 aligns with center mark in vertical mounting bracket (TR)
8. Select correct screws, nesting spacers (if necessary) and universal washers (if required) from the hardware bag (TA-TM) and attach brackets to back of screen. (See Figure 34)

IMPORTANT ! : The M8 screws do **NOT** require a washer. Use the universal washer (TMB) only with M4, M5 and M6 screws.

NOTE: The nesting spacers (TMA) may be used separately, or put two together in different configurations to create different size spacers. (See Figure 33)

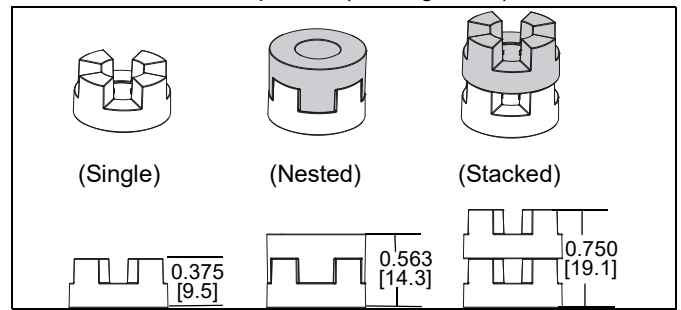


Figure 33

9. If the display has a recessed mounting surface, protrusions or a power box, a spacer and longer mounting hardware must be placed between the display and vertical mounting bracket (TR). (See Figure 34)

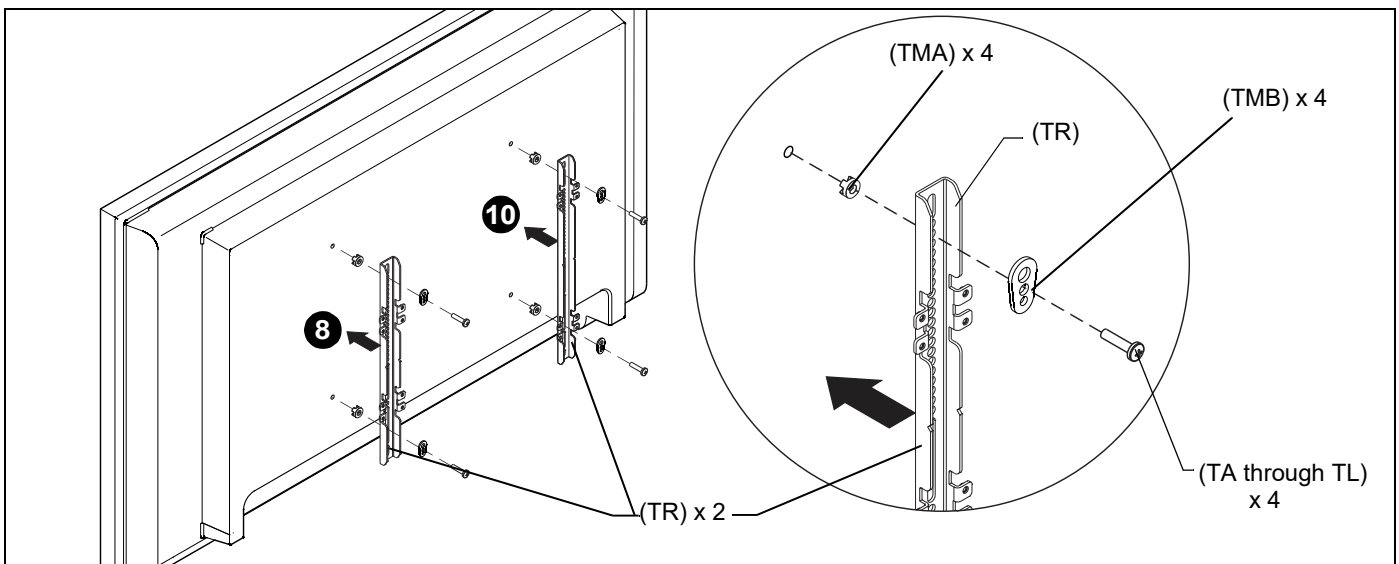


Figure 34

10. Repeat Steps 5 through 8 for Right side vertical mounting bracket using the same hole locations to align brackets horizontally.
11. Determine and mark the horizontal center position between the Left and Right *TOP* mounting holes in display. (See Figure 35)
12. Determine and mark the horizontal center position between the Left and Right *BOTTOM* mounting holes in display. (See Figure 35)
13. Orient upper horizontal mounting bracket (TQ) so that flanges are facing towards display and resting in recessed area of left and right vertical mounting brackets (TR). (See Figure 35)
14. Adjust Upper horizontal mounting bracket (TQ) position until center diamond in horizontal mounting bracket (TU) aligns with mark made in Step 11, and mounting holes and slots in horizontal mounting bracket (TQ) are aligned with threaded holes in mounting tabs of left and right vertical mounting brackets (TR). (See Figure 35) and (See Figure 36)
15. Use 1/8" hex key (TP) to secure upper horizontal mounting bracket (TQ) to left and right vertical mounting brackets (TR) using four button head flanged screws (TN). (See Figure 36)
16. Repeat Steps 12 through 15 for lower horizontal mounting bracket (TQ).

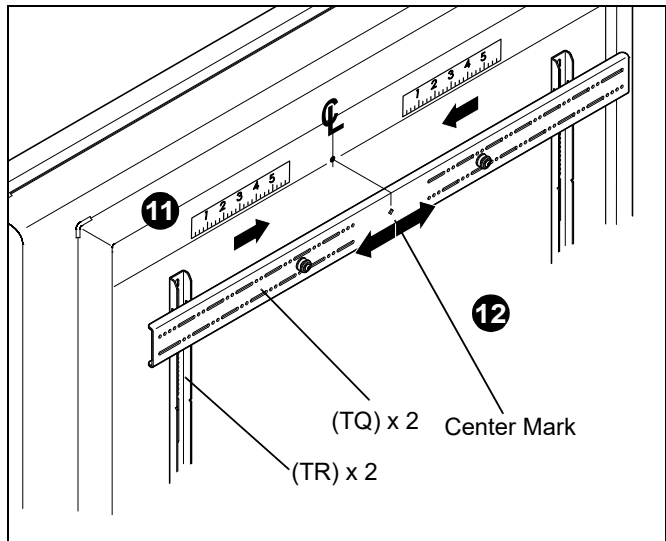


Figure 35

IMPORTANT ! : The orientation of, and mounting holes used, when installing the lower horizontal mounting bracket must be the same as the upper horizontal mounting bracket. Vertically align upper and lower brackets by aligning holes or end of slots. (See Figure 36)

IMPORTANT ! : Whenever possible install mounting screws diagonally as shown in detail in Figure 35.

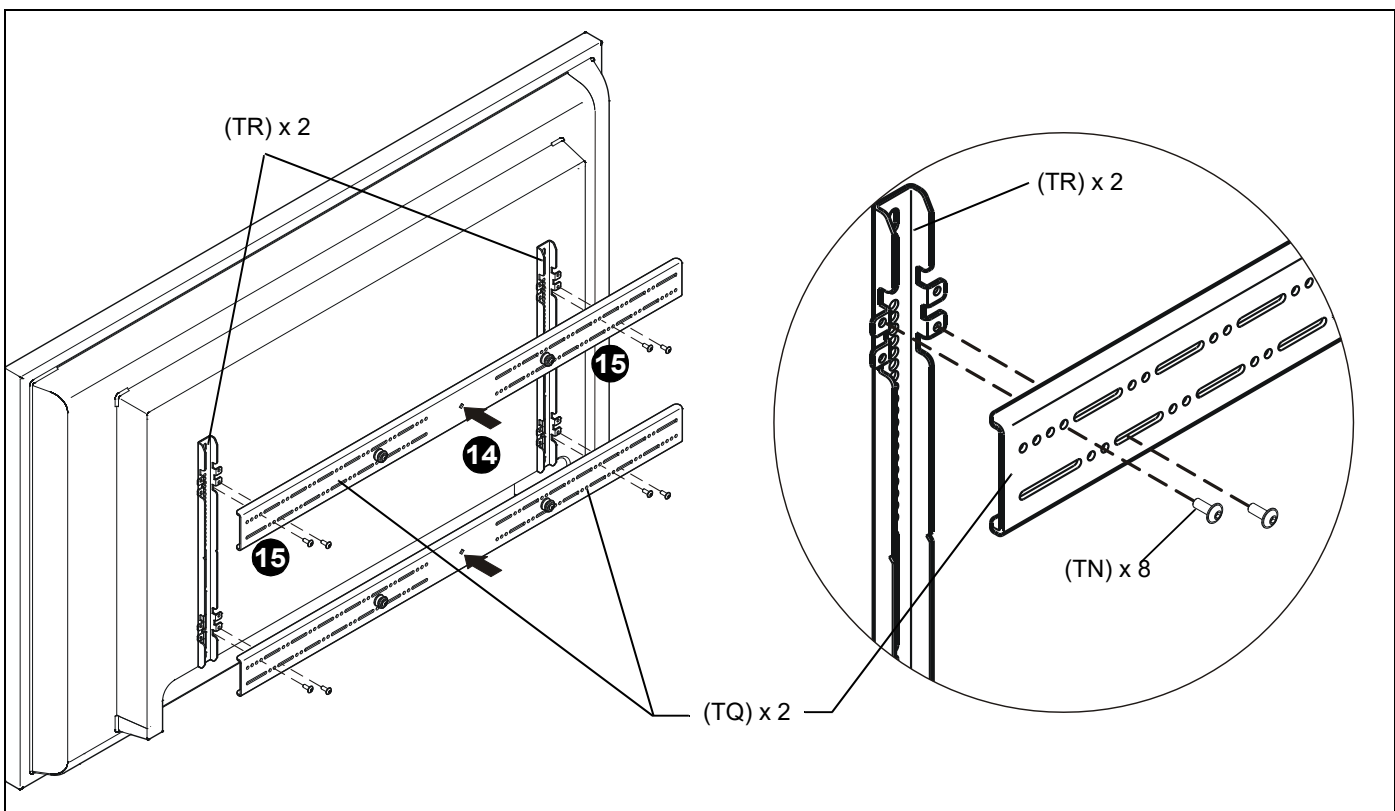


Figure 36

17. Make sure latching flags are in "closed" position prior to using mount!

IMPORTANT ! : Manufacturer recommends using cable ties (C) or padlock (not included) to secure the latching flags in closed position on both sides. (See Figure 37)

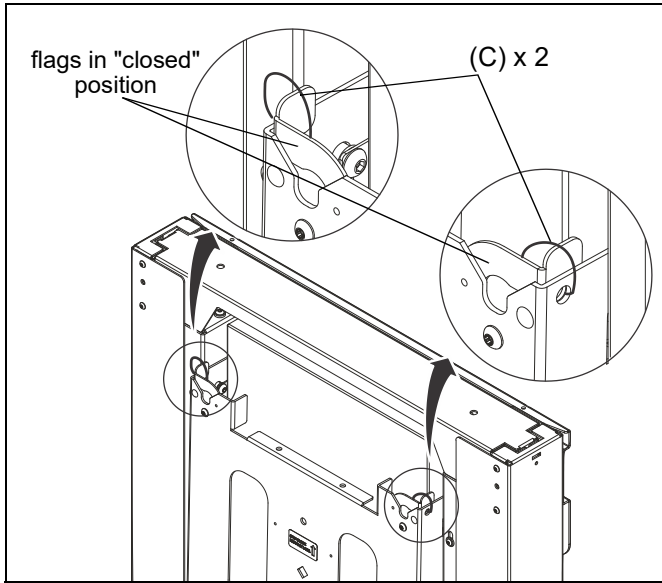


Figure 37

Leveling Adjustment

1. Adjust leveling adjustment screws through access holes to level mount as desired +/- 3/4". (See Figure 39)

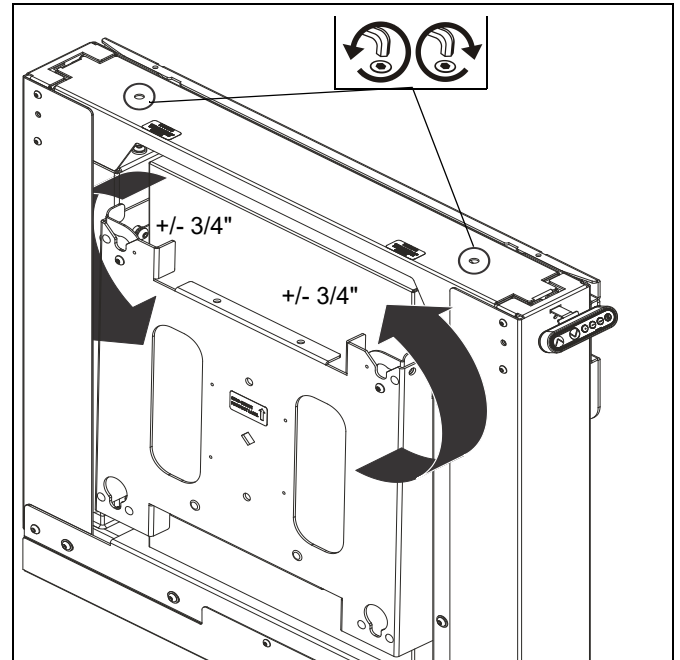


Figure 39

Adjustments

Height Adjustment

1. Press "UP" or "DOWN" buttons to raise or lower height as desired. (See Figure 38)

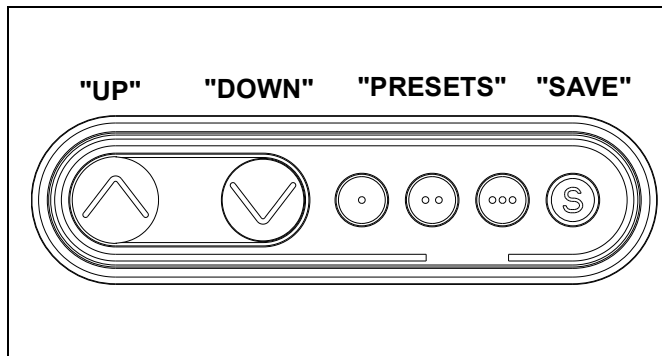


Figure 38

Save Height Levels

1. Adjust height until desired preset level is reached using "UP" and "DOWN" buttons. (See Figure 38)
2. Press "SAVE" button. (See Figure 38)
3. Press one of three preset buttons (., .. or ...) to save preset position. (See Figure 38)
4. Repeat Steps 1-3 as desired.

Plumb Adjustment

2. Adjust plumb adjustment screws as desired to adjust plumb + 3°. (See Figure 40)

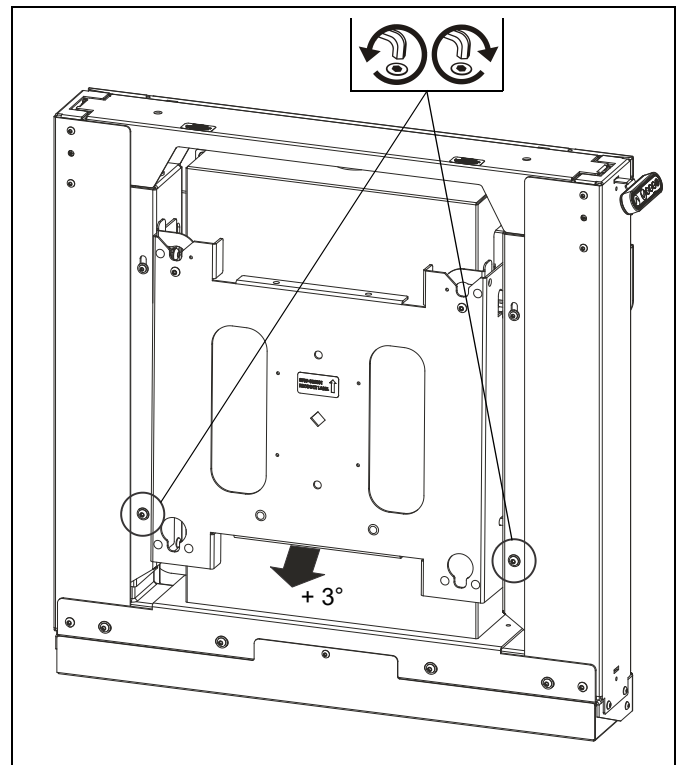


Figure 40

Cable Management

IMPORTANT ! : Route cables when mount is raised to the highest position to ensure cables are installed with enough slack.

1. Use cable clips and/or cable ties (C) to route cables as desired. (See Figure 41)
2. Route cables through opening on bottom cover if a power box is not installed behind the mount. (See Figure 41) and (See Figure 42)

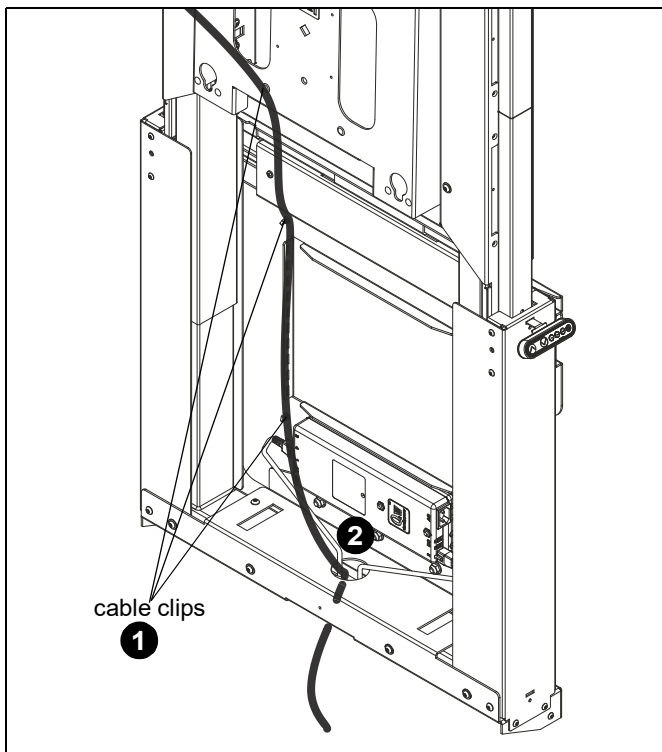
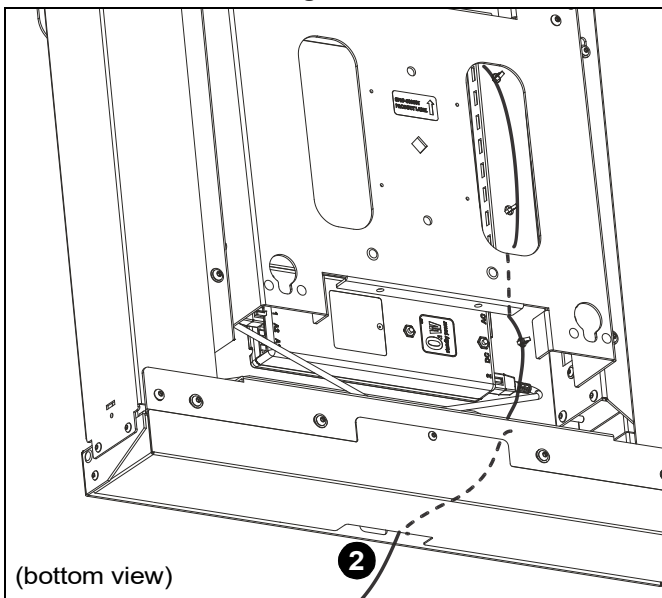


Figure 41



(bottom view)

Figure 42



A brand of  **legrand**

8800-003066 Rev01
©2019 Legrand | AV
www.legrandav.com
03/19

USA/International	A 6436 City West Parkway, Eden Prairie, MN 55344 P 800.582.6480 / 952.225.6000 F 877.894.6918 / 952.894.6918
Europe	A Franklinstraat 14, 6003 DK Weert, Netherlands P +31 (0) 495 580 852 F +31 (0) 495 580 845
Asia Pacific	A Office No. 918 on 9/F, Shatin Galleria 18-24 Shan Mei Street Fotan, Shatin, Hong Kong P 852 2145 4099 F 852 2145 4477

