

# SAVANT

## Savant® IP Audio Studio with Integrated Host and Grille - Black Quick Reference Guide HST-STUDIOxxBG-2CH-xx

### Product Specific Contents

- IP Audio Studio SoundBar 46 [HST-STUDIO46BG-2CH]  
 (1) Soundbar (093-3100-xx)  
 (1) Standard Grille (093-3225-xx)
- IP Audio Studio SoundBar 55 [HST-STUDIO55BG-2CH]  
 (1) Soundbar (093-3102-xx)  
 (1) Standard Grille (093-3226-xx)

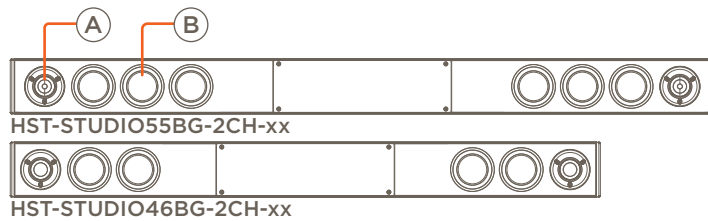
### Universal Box Contents

- (2) 6-Pin Control Connector (028-9352-xx)  
 (1) Power Cord (064-0480-xx)  
 (1) Install Kit (075-0256-xx)  
 (1) Pair of White Gloves (099-0348-xx)  
 (2) Wall Mounting Bracket (071-1130-xx)  
 (1) 3mm Allen Wrench (015-0222-xx)  
 (8) M5x10mm hex screw (039-0440-xx)  
 (4) 25mm Washer 5mm ID (039-0437-xx)  
 (2) 50x90 Bracket Extension (071-1112-xx)  
 (2) 70x90 Bracket Extension (071-1113-xx)  
 (2) 6-pin Control Connector (028-9352-xx)  
 (2) Plastic Feet (073-1030-xx)  
 (2) Rubber Pads for Feet (073-0014-xx)  
 (1) Product Regulatory Insert (009-1950-xx)

### Optional Accessories (sold separately)

- Soundbar TV Mount Hardware (MNT-STUDIO-TV-xx)
- Custom Grilles matched to Flat Panel TV

### Front Panel

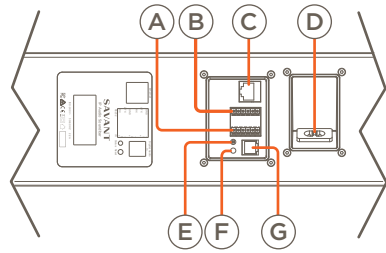


- A** Front Tweeters  
 STUDIO46:  
 (2) 25 mm Vifa DX Super Audio Tweeters  
 STUDIO55:  
 (2) 25 mm Vifa XT Super Audio Tweeters
- B** Midrange/  
 Woofers  
 (4 or 6) 89 mm Long Throw Carbon Fiber  
 Midrange/Woofers

### Specifications

Environmental	
Temperature	32° to 104° F (0° to 40° C)
Humidity	10% to 90% Relative Humidity (non-condensing)
Dimensions and Weight	
Height	4.67 in (11.87 cm) with grille
Width	STUDIO46 with grille 45.4" (11.53cm) STUDIO55 with grille 54.1" (137.41cm)
Depth	2.77 in (7.04 cm) with grille
Weight	Shipping: STUDIO46 22.6 lb (10.3 kg) STUDIO55 29.3 lb (13.3 kg)
Power	
Input Power	100/240V AC (50/60 Hz)
Maximum Power Draw	250W
Networking	
Supported Standard	IEEE 802.1 AVB/TSN switches
Operating Parameters	
Frequency Response	80 Hz - 40 kHz +/- 3 dB
Sensitivity	89 dB @ 2.83V/1 meter
Regulatory	
Safety and Emissions	FCC Part 15B CE Mark C-Tick UL LISTED
RoHS	Compliant
Minimum Support Requirements	
Software Release	da Vinci 9.1

## Rear Panel



(3) IR Ports

Uses 6-pin IR Connectors to send IR signals to control devices with an IR input or IR receiver via an IR flasher (5V tolerant only). See the [Savant® IP Audio Products with Integrated Host Deployment Guide](#) for important precautions regarding IR functionality before making any connections.

(A) IR

(2) RS-232 Ports

Uses 6-pin Screw down plug-in connection. Transmits and receives serial data to and from serial controllable devices. For pin-out information, refer to the RS-232 Wiring section below.

(B) RS-232

8-pin RJ-45 port

10/100 Base-T auto-negotiating port. Supports Audio Video Bridging (AVB).

(C) Ethernet

100/240V AC (50/60 Hz)

(D) Power

**Green Blinking:** Embedded system is ready, but no communication has been established with the host.

**Green:** Host has established communications with the embedded system.

**Red Blinking:** Embedded firmware is running, but has not received a DHCP IP Address.

**Red:** Host has determined the firmware needs to be updated, but a problem occurred during the process that will initiate a reset.

**Amber Blinking:** Embedded system has a valid link local IP Address and is connecting to the host.

**Amber:** Host is updating the embedded firmware.

**Off:** Embedded processor is resetting, or is powered up, and is booting the embedded firmware.

**Hardware Failure:** If a hardware failure occurs, the status LED indication will be interrupted every three seconds with a solid red indication. For example, if the LED is blinking green when a hardware failure occurs, the LED will alternate between blinking green and solid red at three-second intervals.

(E) Status LED

Resets the network settings to DHCP.

Hold Reset Button for 5 seconds while Powered On to clear static IP address. Status LED will turn off and then Amber while the unit reboots with default network settings.

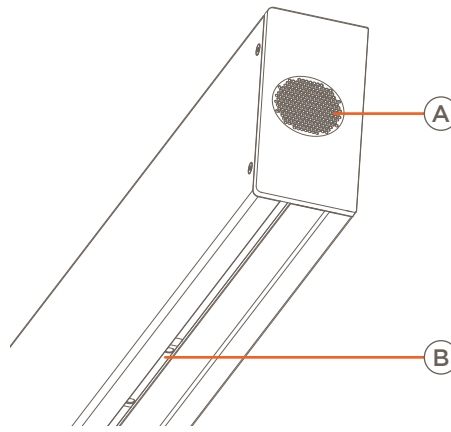
(F) Reset

Digital optical audio inputs (TOSLINK).

Supports up to 192kHz/24-bit digital audio in; PCM stereo format only.

(G) Digital Audio In

## Side and Bottom Panel



(A) Stage Tweeters (2) 19mm Silk Tweeters

(B) Mounting Slide (2) Captive M5 threaded bracket

## Wall Mount

**NOTE:** Make all wiring connections to soundbar before mounting to brackets.

1. Using appropriate fasteners to support the weight of the soundbar, affix wall mounting brackets to the wall, allowing sufficient space between brackets to ensure stability.
2. If utilizing the included bracket extensions, connect to wall mounting brackets using M5x10mm screws.
3. Align the captive M5 threaded brackets inside soundbar mounting slide with position of wall mounting brackets.
4. Attach soundbar by threading M5x10mm screws through wall brackets and into the soundbar captive mounting slide brackets

## Plastic Feet

1. Align the captive M5 threaded brackets in the soundbar mounting slide beneath the center speakers of right and left side channels.
2. Secure plastic feet to the captive brackets using M5x190mm screws.
3. Remove wax paper from the adhesive backing on included rubber pads and attach one to each of the plastic feet.

For more information on installing this SoundBar see the [Savant IP Audio Studio with Integrated Host Deployment Guide](#) on the Savant Customer Community.